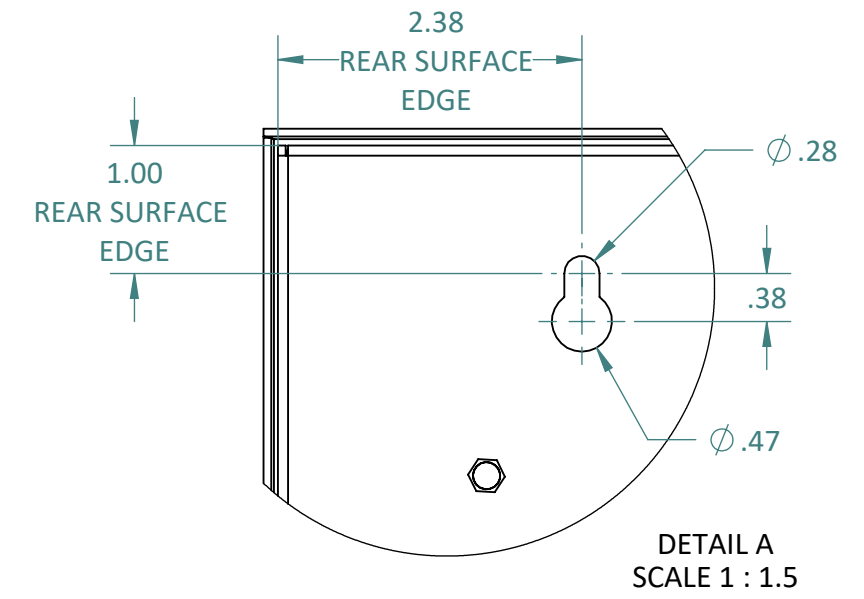
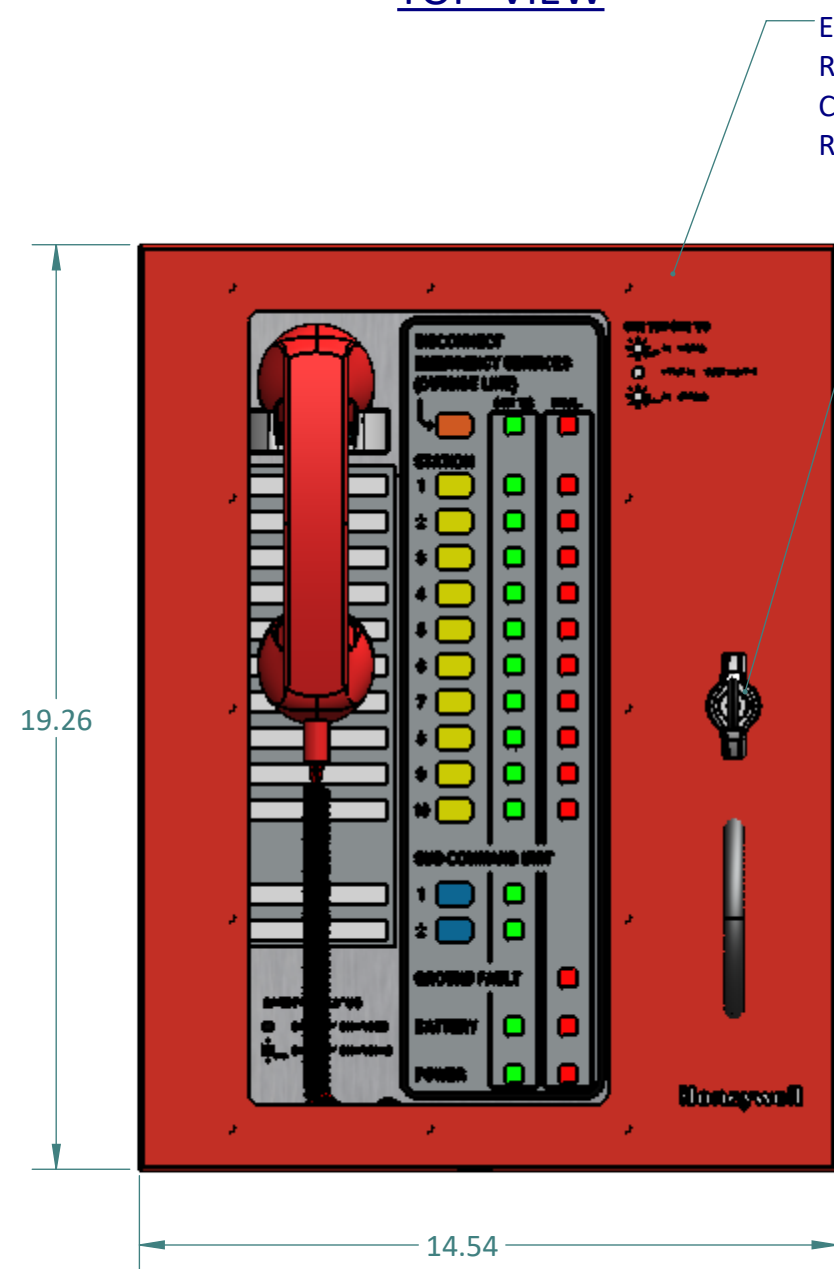


TOP VIEW



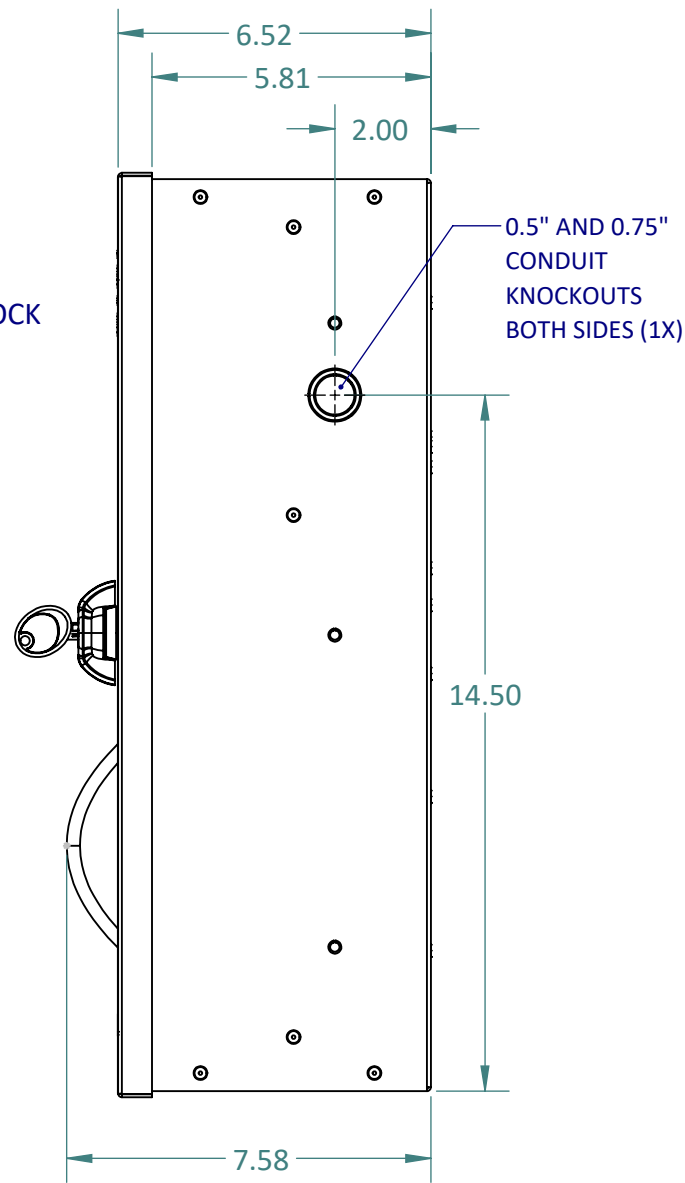
DETAIL A
SCALE 1 : 1.5



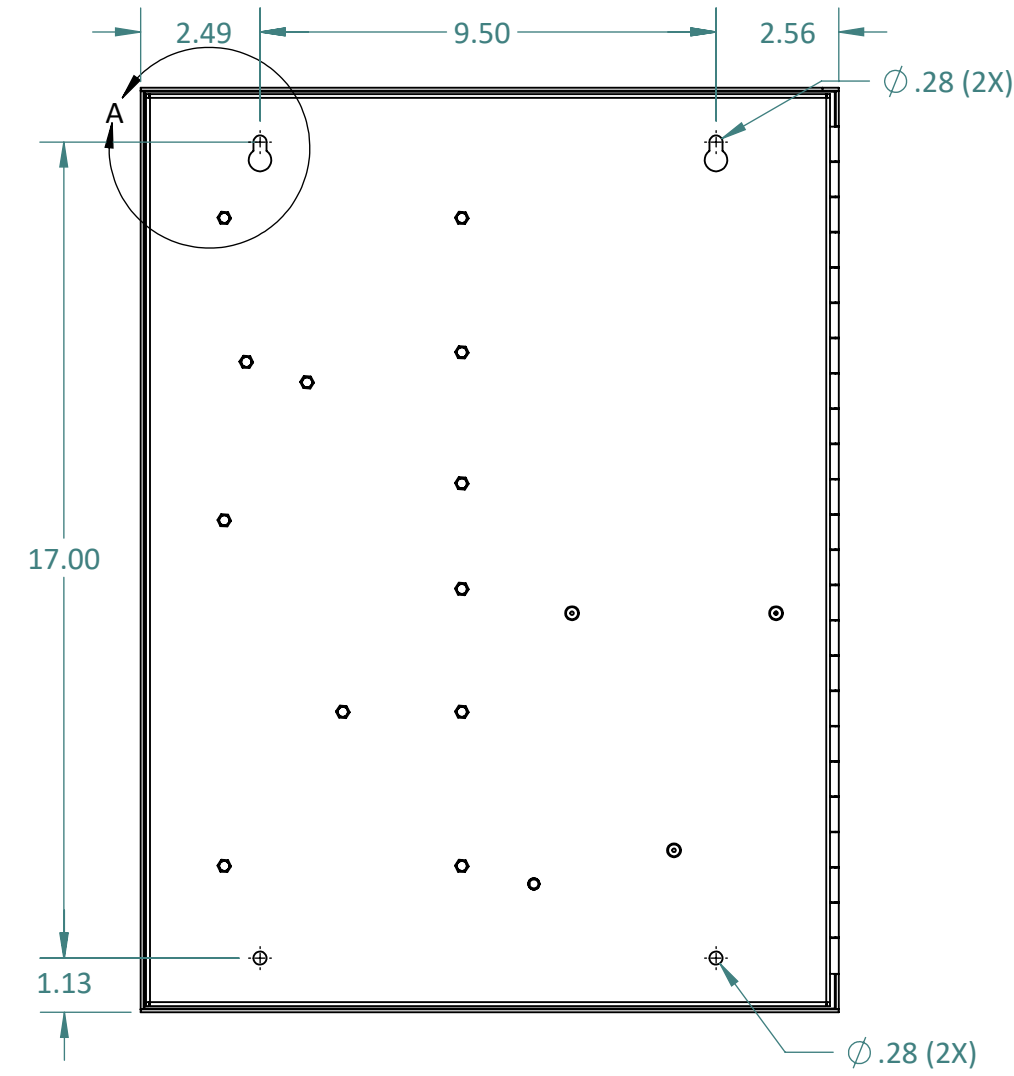
FRONT VIEW

ENCLOSURE (POWDER COATED):
RED
COLOR CODE:
RAL 3020

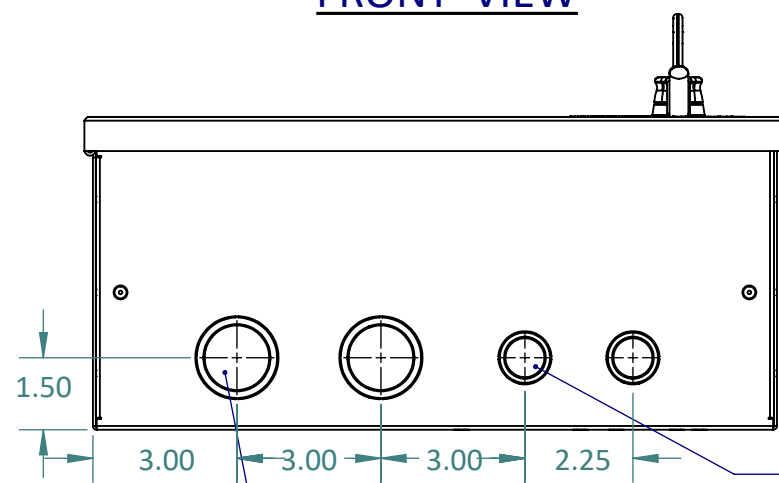
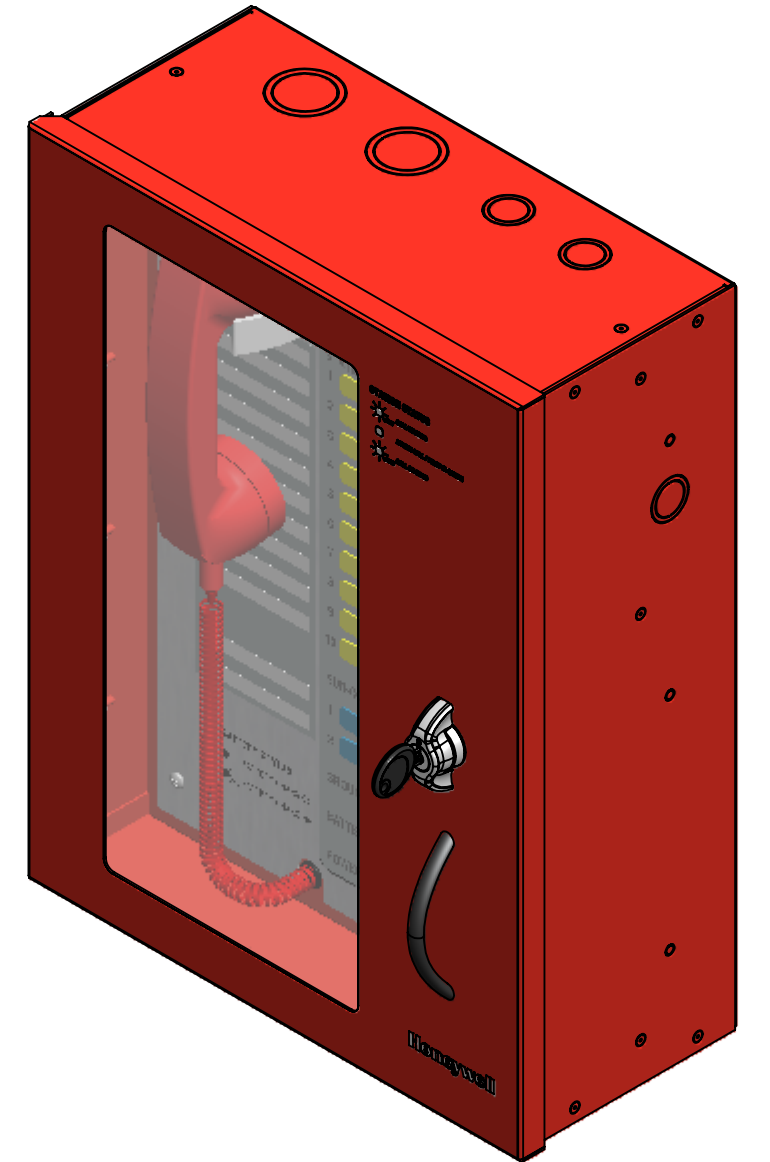
LATCH WITH KEY LOCK
(2 KEYS PROVIDED)



SIDE VIEW



REAR VIEW



BOTTOM VIEW

1.00" AND 1.25" CONDUIT
KNOCKOUTS (2X)

0.5" AND 0.75" CONDUIT
KNOCKOUTS (2X)

MODEL(S):
HON-AOR-10-DKL-R / HON-AOR-10-DKL-ETL-R

DESCRIPTION:
AREA OF REFUGE COMMAND UNIT WITH 5-STATION CAPACITY.
USE HON-AOR-TR10-D-R TO FLUSH MOUNT.
ENCLOSURE IS PAINTED RED (RAL 3020)

1.0	MARKETING RELEASE	04/09/2024	K PATEL
REV.	DESCRIPTION	DATE	APPROVED
REVISIONS			
SPECIFICATIONS ARE SUBJECT TO CHANGE WITHOUT NOTICE	UNLESS OTHERWISE SPECIFIED: DIMENSIONS ARE IN INCHES TOLERANCES: DRILL HOLE: -0.00 / +0.003 ANGULAR: MACH ± 1° BEND ± 1° TWO PLACE DECIMAL ± 0.01 THREE PLACE DECIMAL ± 0.005	NAME	DATE
	DO NOT SCALE DRAWING INTERPRET GEOMETRIC TOLERANCING PER: ASME Y14.5-2009	Q.A.	
	PROPRIETARY AND CONFIDENTIAL THE HONEYWELL TRADEMARK IS USED UNDER LICENSE FROM HONEYWELL INTERNATIONAL INC. HONEYWELL INTERNATIONAL INC. MAKES NO REPRESENTATION OR WARRANTIES WITH RESPECT TO THESE PRODUCTS. THESE PRODUCTS ARE MANUFACTURED BY TALK-A-PHONE, LLC, NILES, IL 60714, USA.		
	© 2024 TALK-A-PHONE, LLC. ALL RIGHTS RESERVED. ANY REPRODUCTION IN PART OR AS A WHOLE WITHOUT THE WRITTEN PERMISSION OF TALK-A-PHONE, LLC IS PROHIBITED.		
<p style="text-align: center;">Honeywell</p> <p>TALK-A-PHONE, LLC 7530 N. NATCHEZ AVE., NILES, IL 60714 773-539-1100 INFO@TALKAPHONE.COM WWW.HONEYWELLAREAOFRREFUGE.COM</p>		<p>SIZE MODEL FILE NAME: REV</p> <p>C AOR-10_ASSY 1.0</p>	
SCALE: 1:4		WEIGHT:	SHEET 1 OF 1