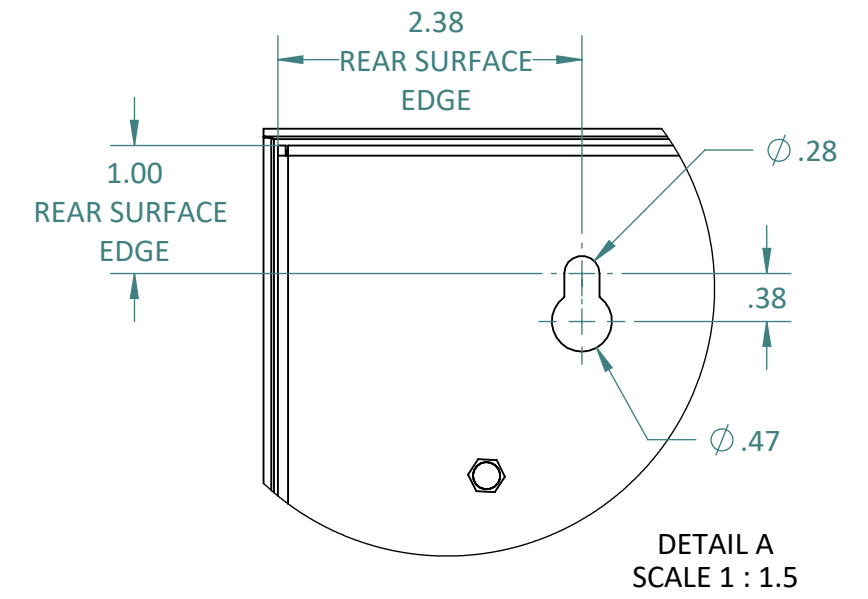
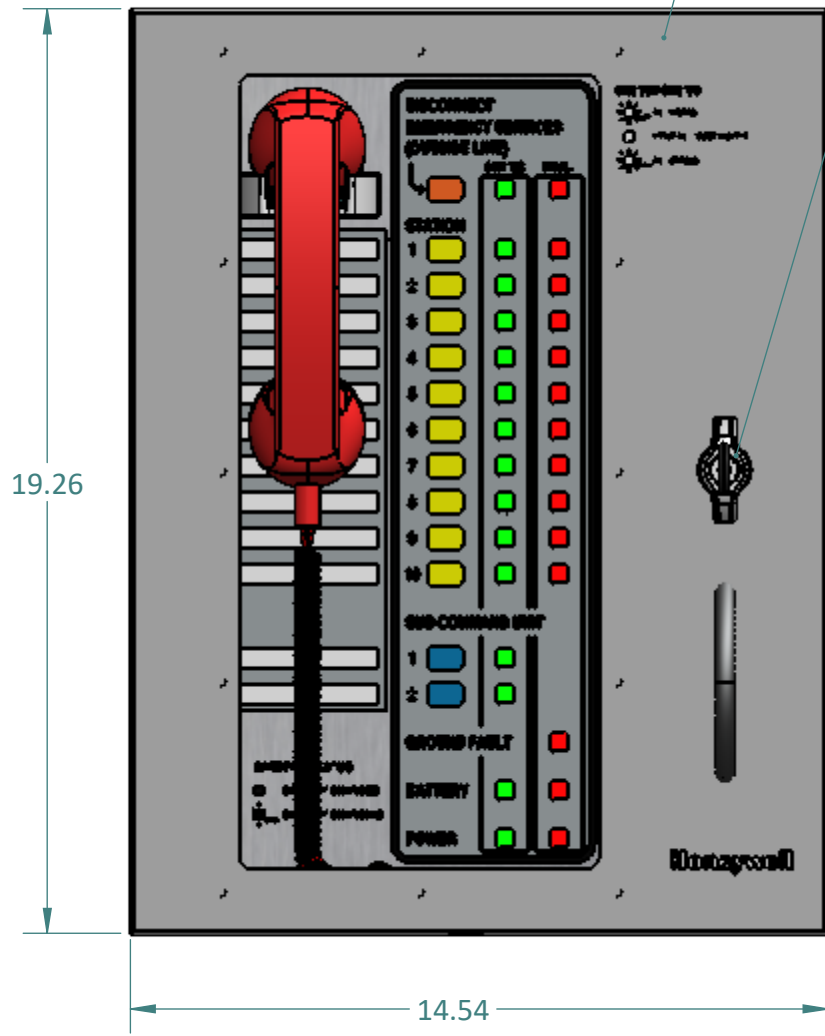


**TOP VIEW**

ENCLOSURE (POWDER COATED):  
BLACK  
COLOR CODE:  
RAL 9005  
[LIGHTER COLOR SHADE SHOWN  
FOR DETAIL CLARITY]

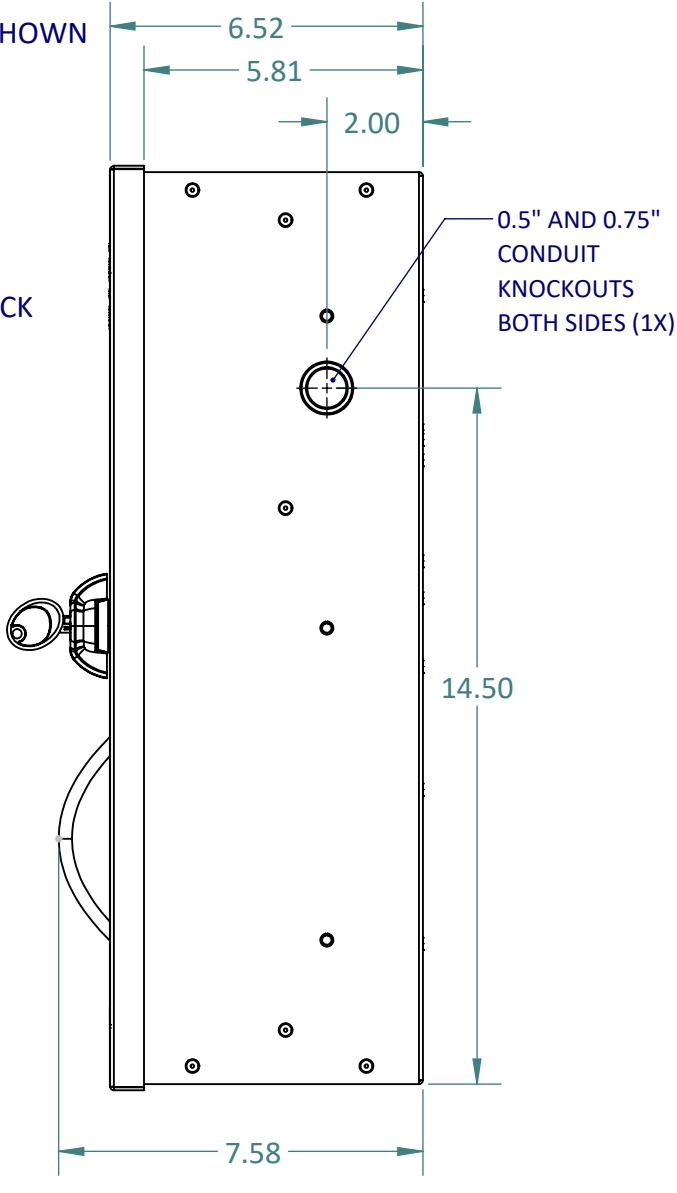


DETAIL A  
SCALE 1 : 1.5

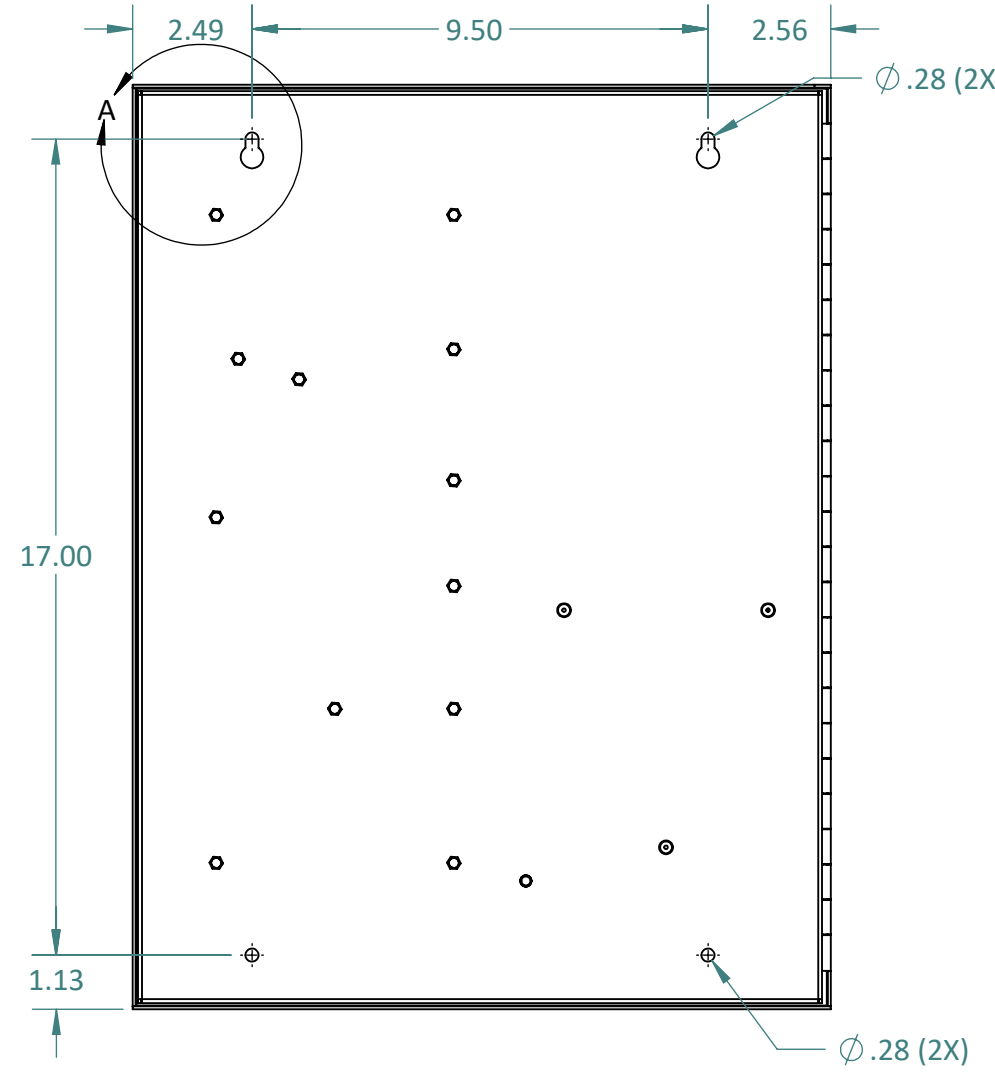


**FRONT VIEW**

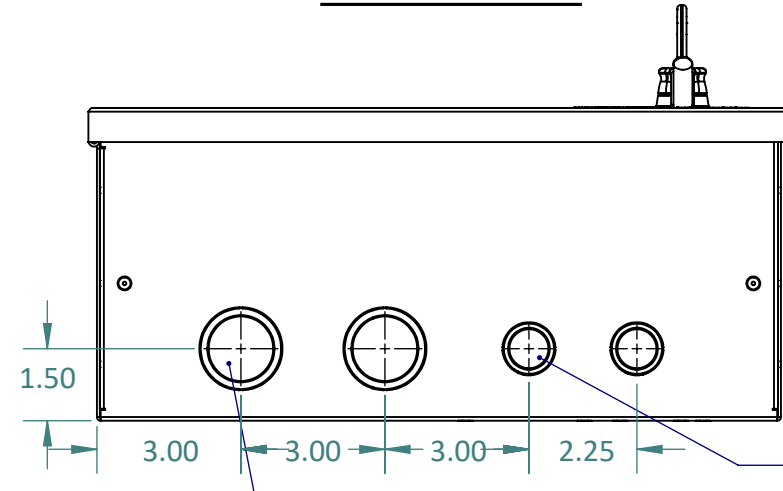
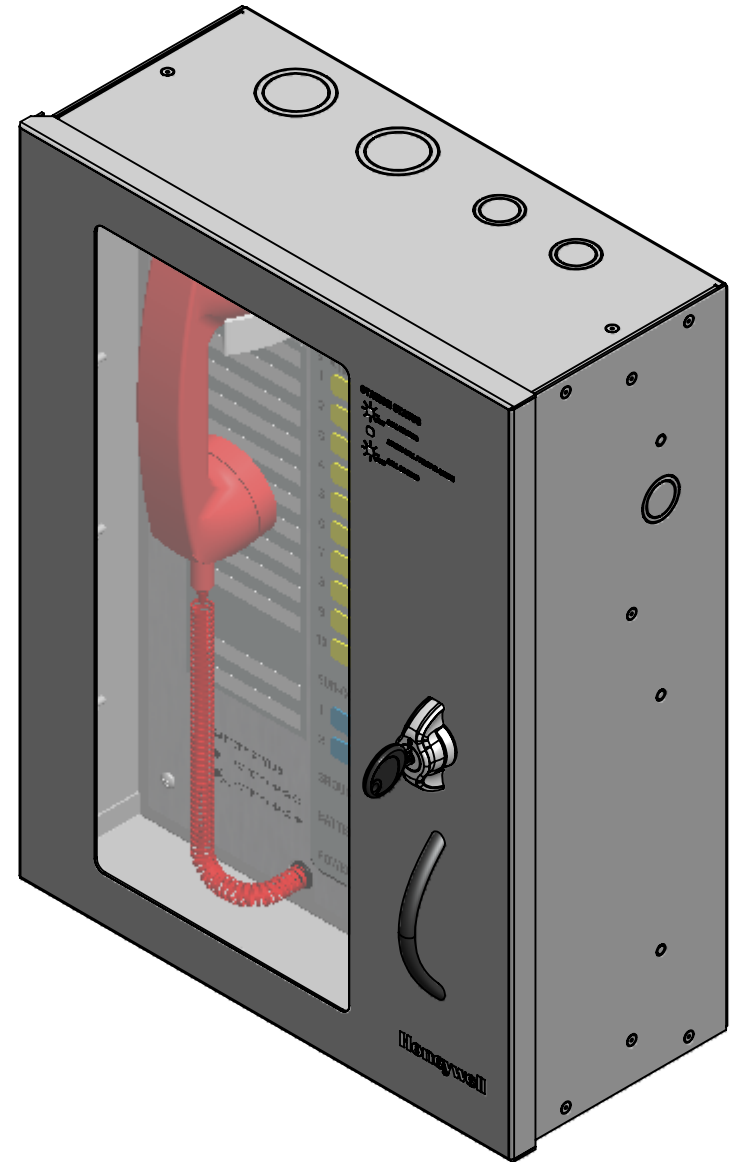
LATCH WITH KEY LOCK  
(2 KEYS PROVIDED)



**SIDE VIEW**



**REAR VIEW**



**BOTTOM VIEW**

**MODEL(S):**  
HON-AOR-10-DKL / HON-AOR-10-DKL-ETL

**DESCRIPTION:**  
AREA OF REFUGE COMMAND UNIT WITH 5-STATION CAPACITY.  
USE HON-AOR-TR10-D TO FLUSH MOUNT.  
ENCLOSURE IS PAINTED BLACK (RAL 9005)

|  |  |            |                  |
|--|--|------------|------------------|
| 1.0  | MARKETING RELEASE                                    | 04/09/2024 | K PATEL          |
| REV.   | DESCRIPTION  | DATE       | APPROVED         |
| <b>REVISIONS</b>   |  |            |                  |
| SPECIFICATIONS ARE SUBJECT TO CHANGE WITHOUT NOTICE  | UNLESS OTHERWISE SPECIFIED:                          | NAME       | DATE             |
|  | DIMENSIONS ARE IN INCHES                             | DRAWN      | K PATEL 4/9/2024 |
|  | TOLERANCES:  | CHECKED    | C WONG 4/9/2024  |
|  | DRILL HOLE: -0.00 / +0.003                           | ENG APPR.  |                  |
| ANGULAR: MACH ± 1° BEND ± 1°   | MFG APPR.  |            |                  |
| TWO PLACE DECIMAL ± 0.01   |  |            |                  |
| THREE PLACE DECIMAL ± 0.005  |  |            |                  |
| DO NOT SCALE DRAWING   | INTERPRET GEOMETRIC TOLERANCING PER: ASME Y14.5-2009 | Q.A.       |                  |
| PROPRIETARY AND CONFIDENTIAL   |  |            |                  |
| THE HONEYWELL TRADEMARK IS USED UNDER LICENSE FROM HONEYWELL INTERNATIONAL INC.  |  |            |                  |
| HONEYWELL INTERNATIONAL INC. MAKES NO REPRESENTATION OR WARRANTIES WITH RESPECT TO THESE PRODUCTS. THESE PRODUCTS ARE MANUFACTURED BY TALK-A-PHONE, LLC, NILES, IL 60714, USA. |  |            |                  |
| © 2024 TALK-A-PHONE, LLC. ALL RIGHTS RESERVED. ANY REPRODUCTION IN PART OR AS A WHOLE WITHOUT THE WRITTEN PERMISSION OF TALK-A-PHONE, LLC IS PROHIBITED.                       |  |            |                  |
| SIZE   | MODEL FILE NAME:                                     | REV        |                  |
| <b>C</b>   | AOR-10_ASSY  | <b>1.0</b> |                  |
| SCALE: 1:4   | WEIGHT:  |            | SHEET 1 OF 1     |



TALK-A-PHONE, LLC  
7530 N. NATCHEZ AVE., NILES, IL 60714  
773-539-1100  
INFO@TALKAPHONE.COM  
WWW.HONEYWELLAREAOFRREFUGE.COM