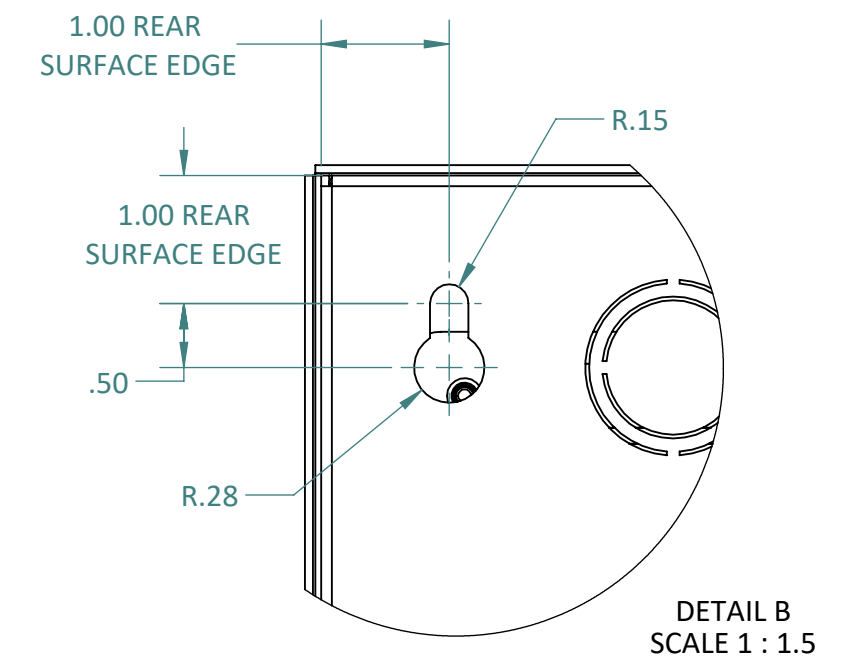
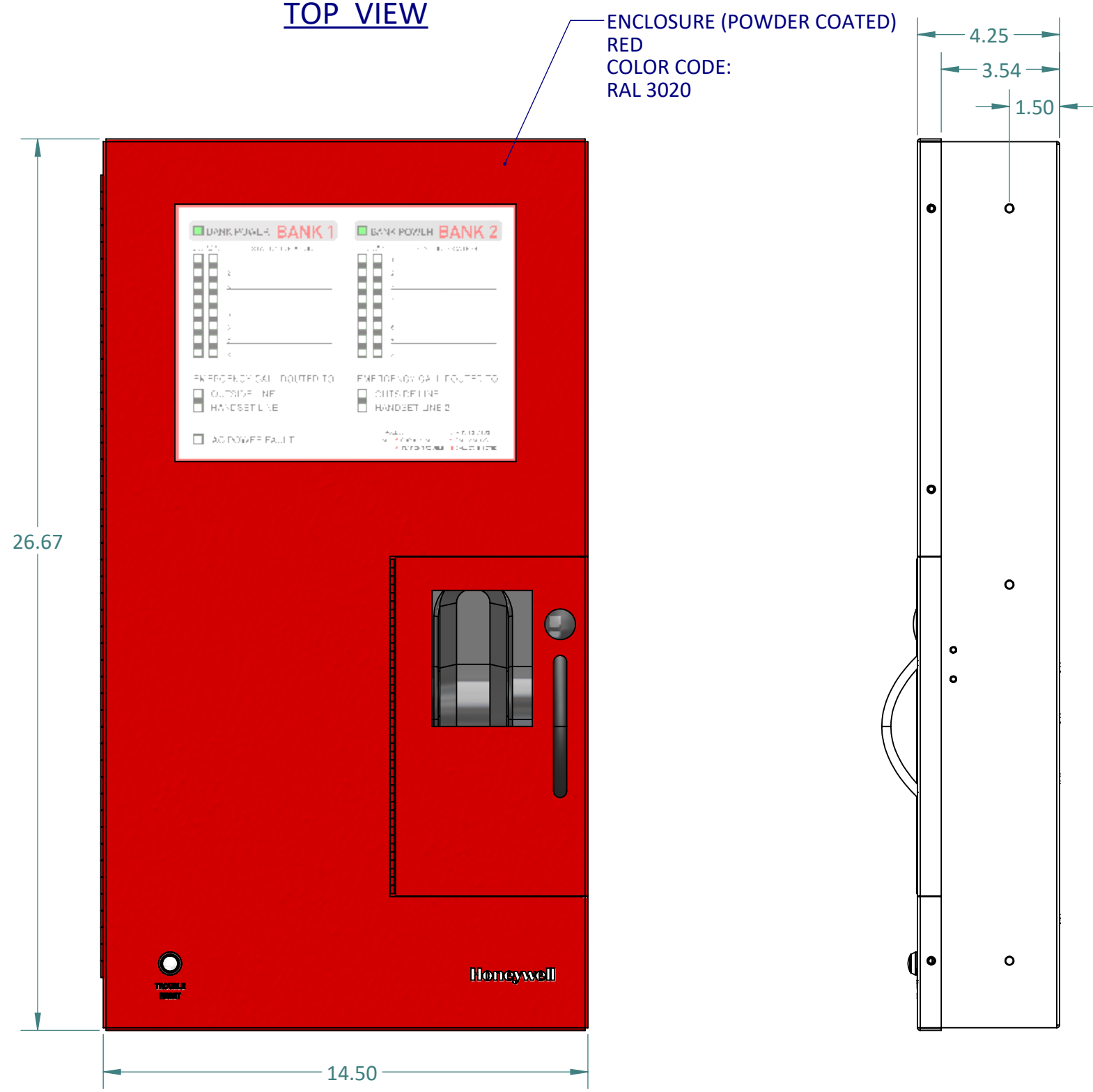


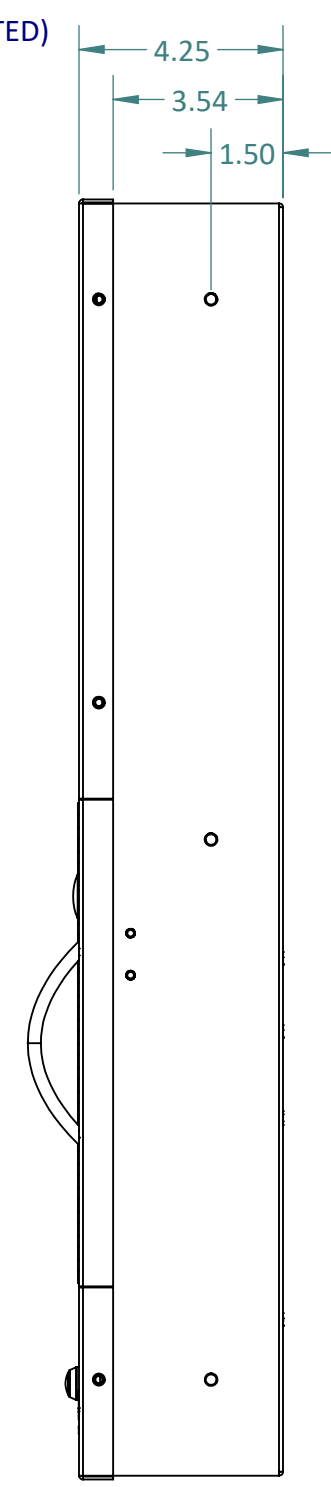
TOP VIEW



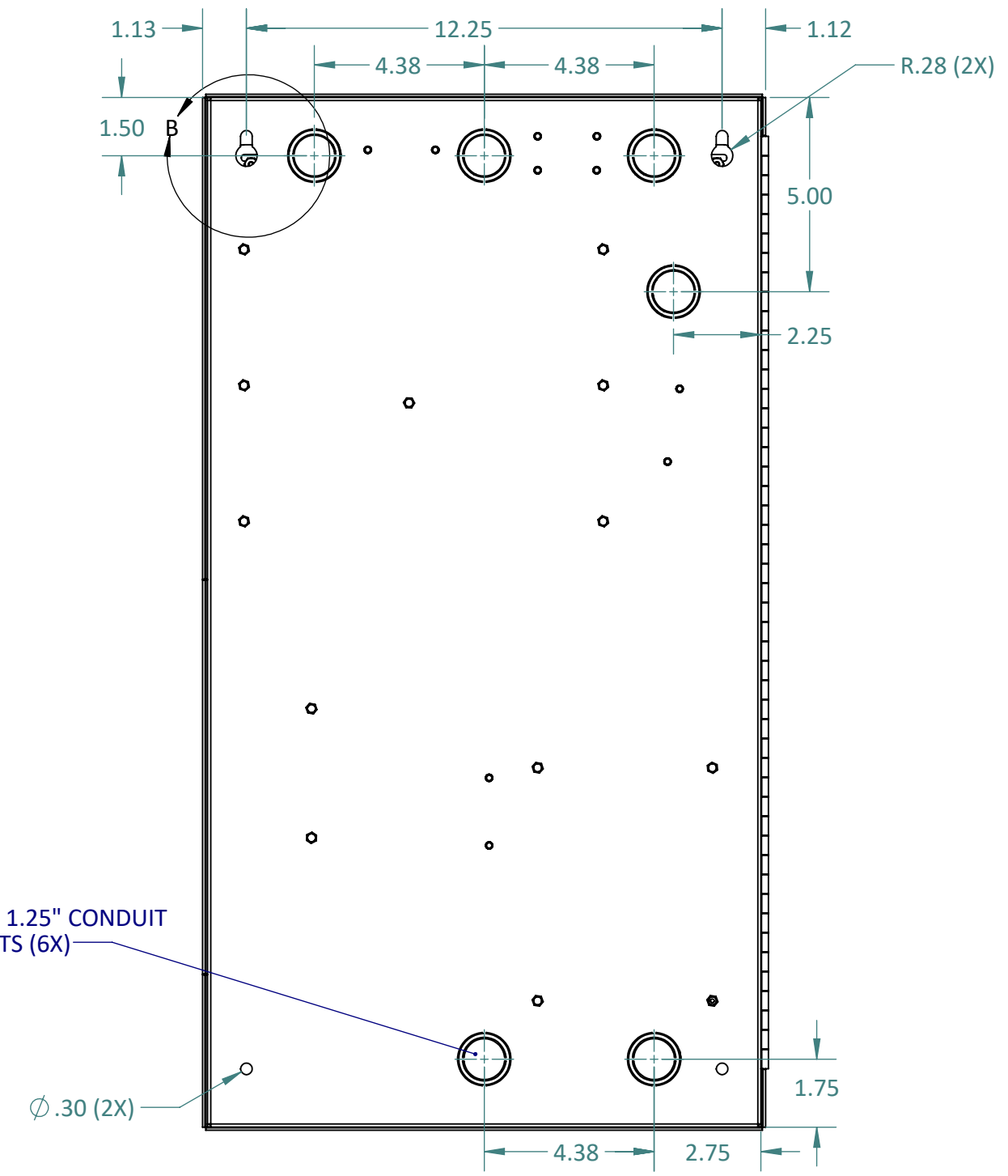
**DETAIL B
SCALE 1 : 1.5**



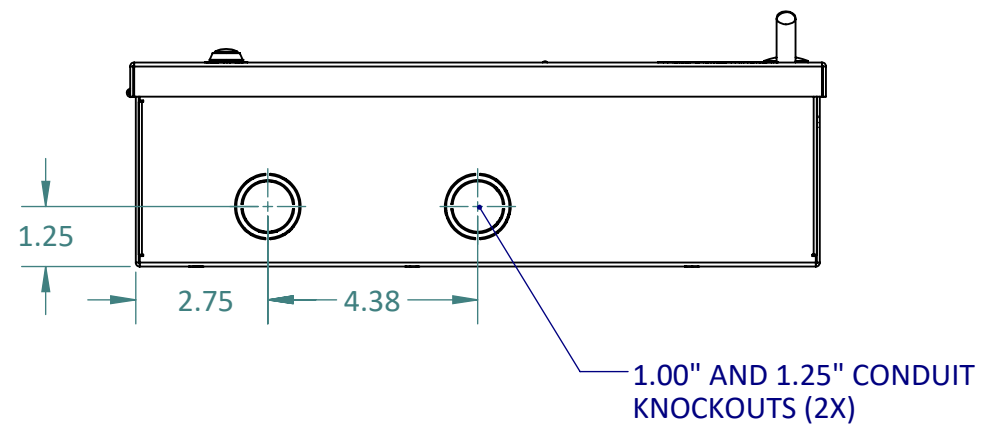
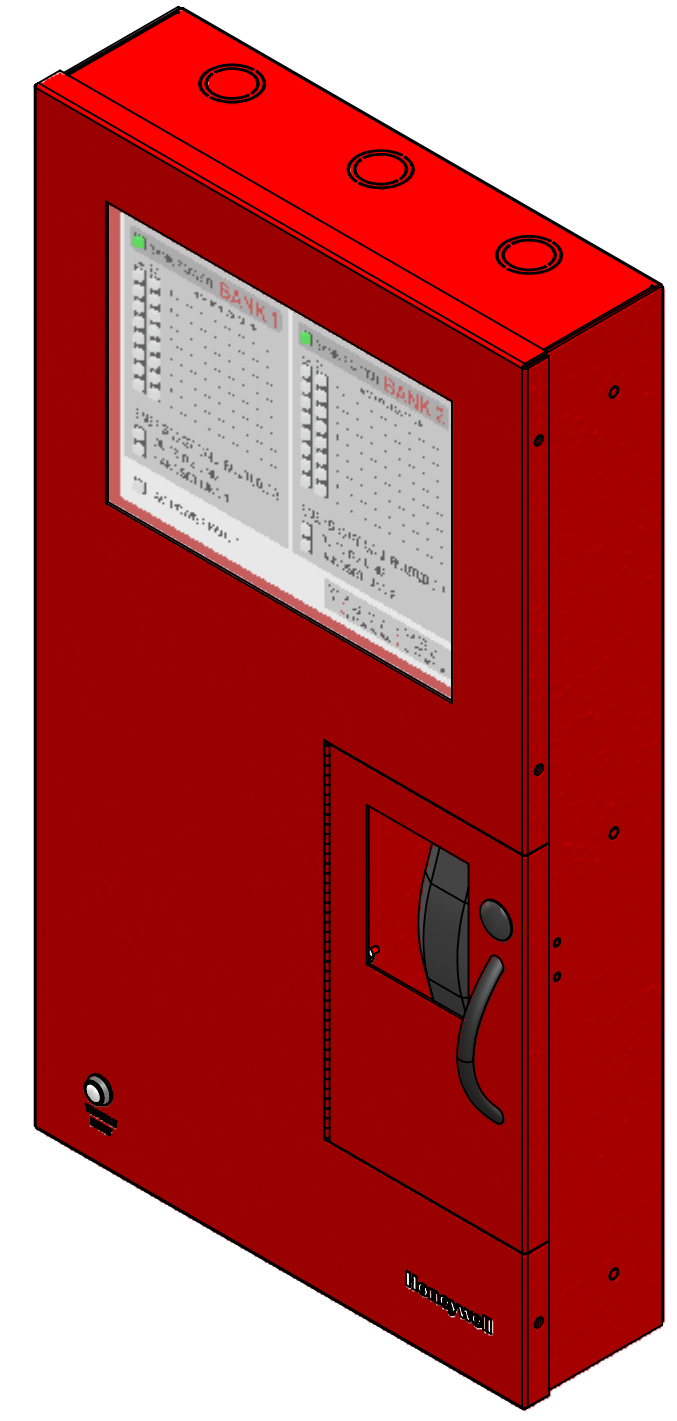
FRONT VIEW



SIDE VIEW



REAR VIEW



BOTTOM VIEW

MODEL(S):
HON-AOR-16-R

DESCRIPTION:
AREA OF REFUGE COMMAND UNIT WITH 16-STATION CAPACITY. USE HON-AOR-TR16-R TO FLUSH MOUNT. ENCLOSURE IS PAINTED RED (RAL 3020).

1.0	MARKETING RELEASE	06/05/2024	K PATEL										
REV.	DESCRIPTION	DATE	APPROVED										
REVISIONS													
SPECIFICATIONS ARE SUBJECT TO CHANGE WITHOUT NOTICE		UNLESS OTHERWISE SPECIFIED: DIMENSIONS ARE IN INCHES TOLERANCES: DRILL HOLE: -0.00 / +0.003 ANGULAR: MACH ± 1° BEND ± 1° TWO PLACE DECIMAL ± 0.01 THREE PLACE DECIMAL ± 0.005	<table border="1"> <tr> <th>NAME</th> <th>DATE</th> </tr> <tr> <td>DRAWN: K PATEL</td> <td>6/5/2024</td> </tr> <tr> <td>CHECKED: C WONG</td> <td>6/5/2024</td> </tr> <tr> <td>ENG APPR.</td> <td></td> </tr> <tr> <td>MFG APPR.</td> <td></td> </tr> </table>	NAME	DATE	DRAWN: K PATEL	6/5/2024	CHECKED: C WONG	6/5/2024	ENG APPR.		MFG APPR.	
NAME	DATE												
DRAWN: K PATEL	6/5/2024												
CHECKED: C WONG	6/5/2024												
ENG APPR.													
MFG APPR.													
DO NOT SCALE DRAWING		INTERPRET GEOMETRIC TOLERANCING PER: ASME Y14.5-2009	Q.A.										
<p>PROPRIETARY AND CONFIDENTIAL</p> <p>THE HONEYWELL TRADEMARK IS USED UNDER LICENSE FROM HONEYWELL INTERNATIONAL INC. HONEYWELL INTERNATIONAL INC. MAKES NO REPRESENTATION OR WARRANTIES WITH RESPECT TO THESE PRODUCTS. THESE PRODUCTS ARE MANUFACTURED BY TALK-A-PHONE, LLC, NILES, IL 60714, USA.</p> <p>© 2024 TALK-A-PHONE, LLC. ALL RIGHTS RESERVED. ANY REPRODUCTION IN PART OR AS A WHOLE WITHOUT THE WRITTEN PERMISSION OF TALK-A-PHONE, LLC IS PROHIBITED.</p>													
<p>Honeywell</p> <p>TALK-A-PHONE, LLC 7530 N. NATCHEZ AVE., NILES, IL 60714 773-539-1100 INFO@TALKAPHONE.COM WWW.HONEYWELLAREAOFRREFUGE.COM</p>		<p>SIZE: C</p> <p>MODEL FILE NAME: AOR-8-16_SERIES_ASSY</p>	<p>REV: 1.0</p> <p>SCALE: 1:4 WEIGHT: SHEET 1 OF 1</p>										