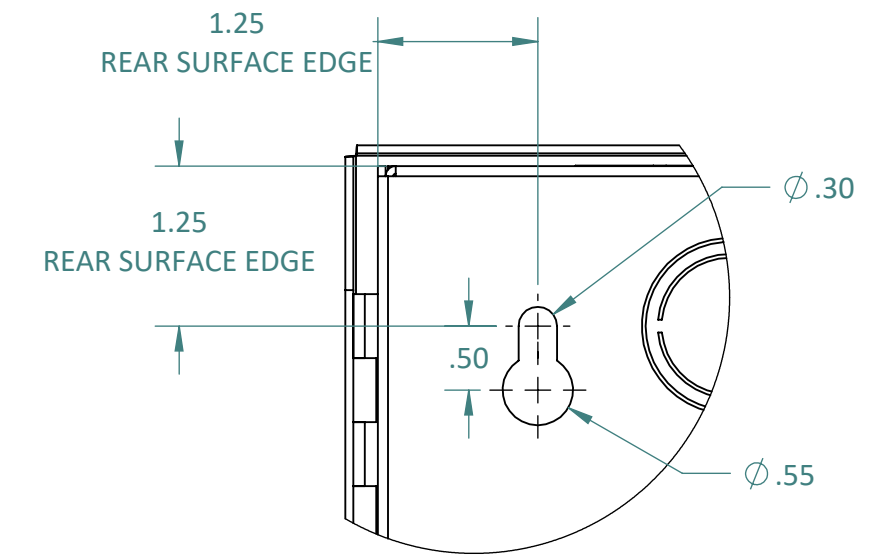
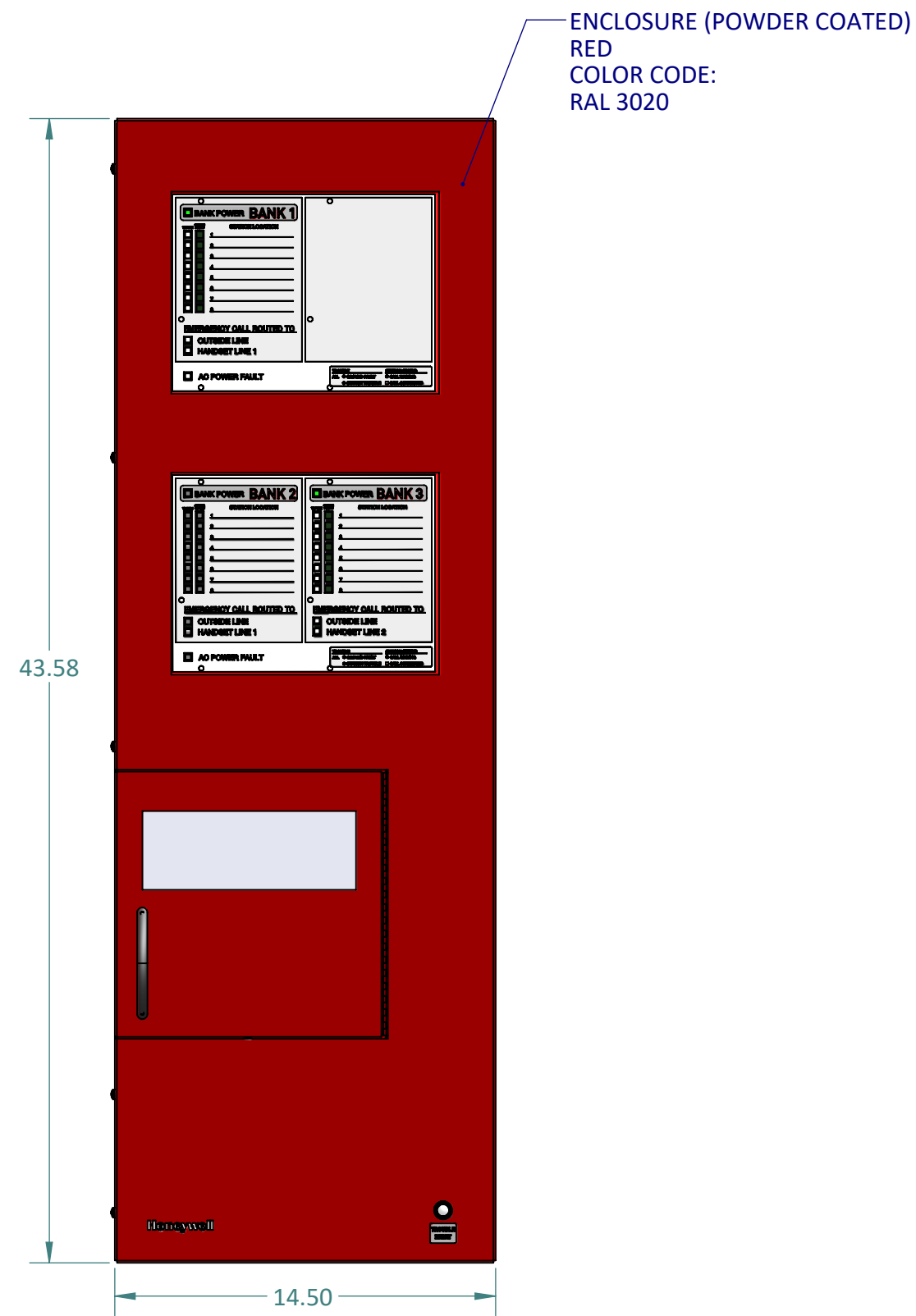


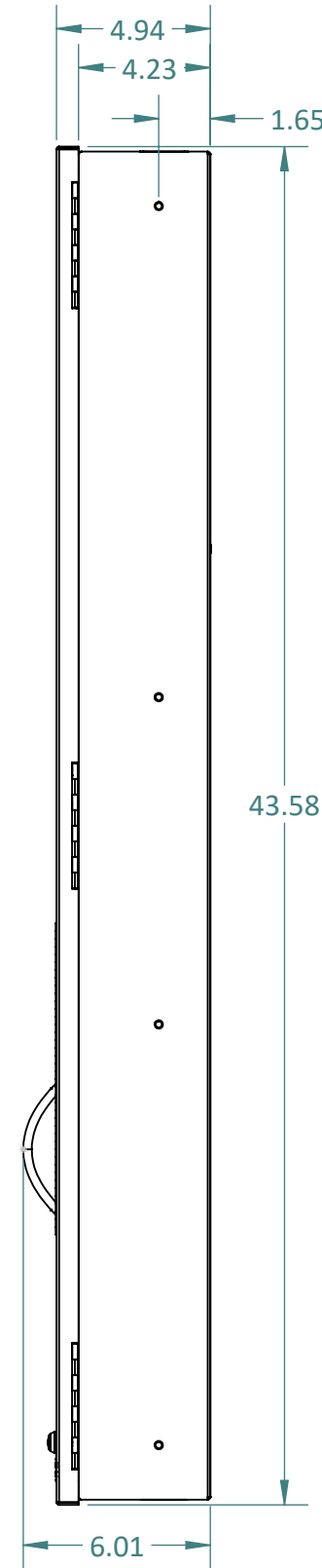
TOP VIEW



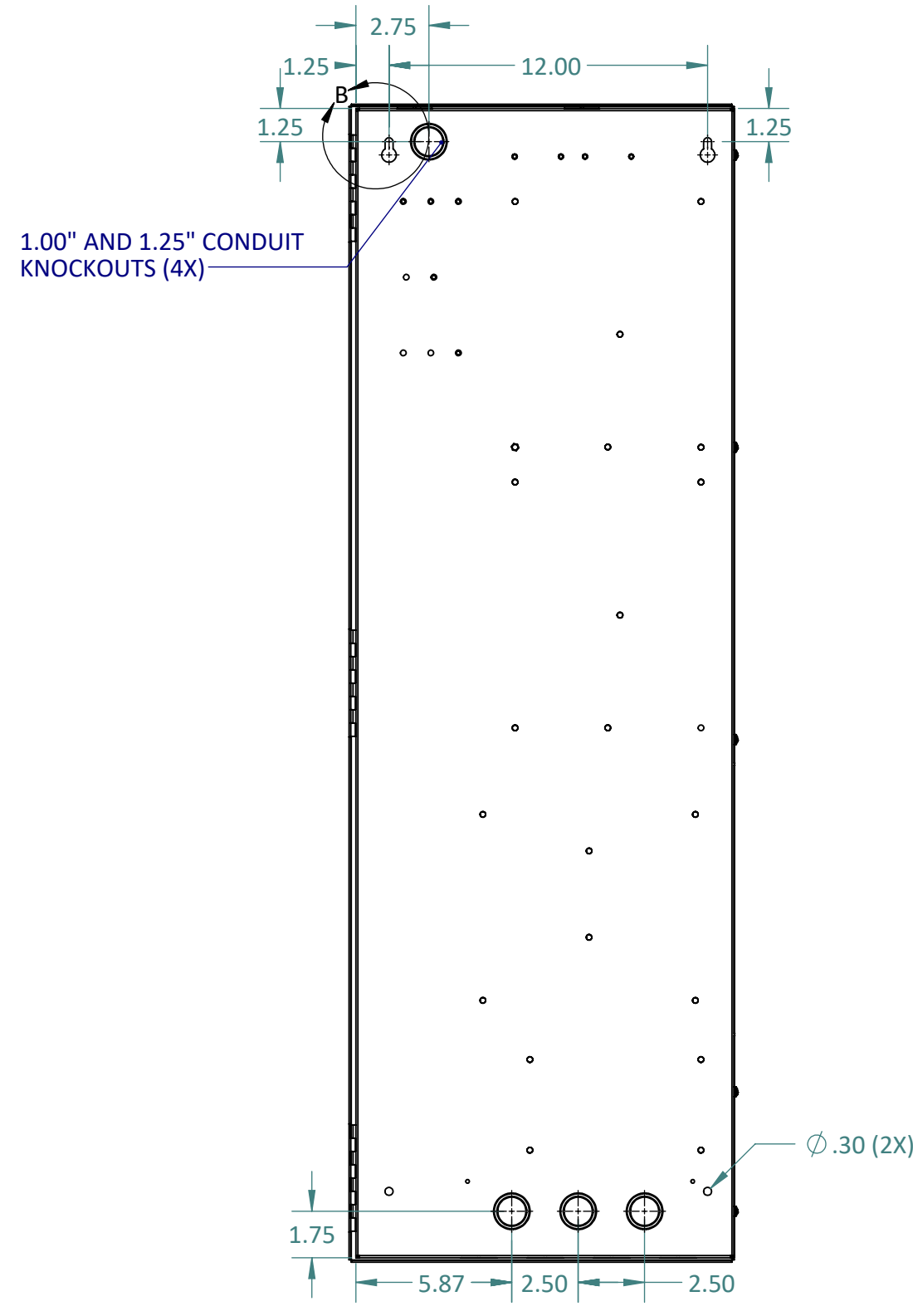
DETAIL B
SCALE: 1 : 1.5



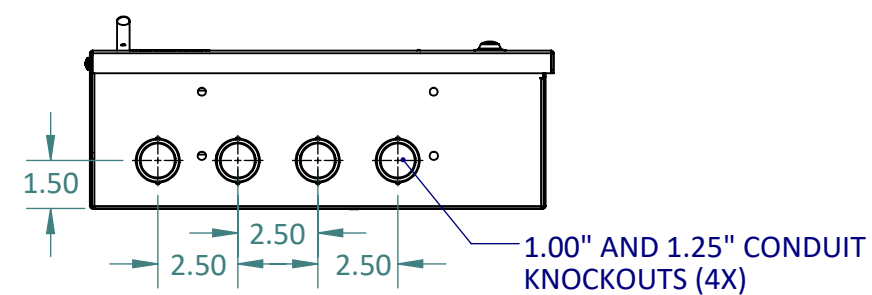
FRONT VIEW



SIDE VIEW



REAR VIEW



BOTTOM VIEW

MODEL(S):
HON-AOR-24-R

DESCRIPTION:
AREA OF REFUGE COMMAND UNIT WITH 24-STATION CAPACITY.
USE HON-AOR-TR32-R TO FLUSH MOUNT.
ENCLOSURE IS PAINTED RED (RAL 3020)

1.0	MARKETING RELEASE	06/04/2024	K PATEL
REV.	DESCRIPTION	DATE	APPROVED
REVISIONS			
SPECIFICATIONS ARE SUBJECT TO CHANGE WITHOUT NOTICE	UNLESS OTHERWISE SPECIFIED: DIMENSIONS ARE IN INCHES TOLERANCES: DRILL HOLE -0.00/+0.003 ANGULAR: MACH ± 1° BEND ± 1° TWO PLACE DECIMAL ± 0.01 THREE PLACE DECIMAL ± 0.005	NAME	DATE
	DO NOT SCALE DRAWING INTERPRET GEOMETRIC TOLERANCING PER: ASME Y14.5-2009	Q.A.	
	PROPRIETARY AND CONFIDENTIAL THE HONEYWELL TRADEMARK IS USED UNDER LICENSE FROM HONEYWELL INTERNATIONAL INC. HONEYWELL INTERNATIONAL INC. MAKES NO REPRESENTATION OR WARRANTIES WITH RESPECT TO THESE PRODUCTS. THESE PRODUCTS ARE MANUFACTURED BY TALK-A-PHONE, LLC, NILES, IL 60714, USA.		
	© 2024 TALK-A-PHONE, LLC. ALL RIGHTS RESERVED. ANY REPRODUCTION IN PART OR AS A WHOLE WITHOUT THE WRITTEN PERMISSION OF TALK-A-PHONE, LLC IS PROHIBITED.		
Honeywell TALK-A-PHONE, LLC 7530 N. NATCHEZ AVE., NILES, IL 60714 773-539-1100 INFO@TALKAPHONE.COM WWW.HONEYWELLAREAOFRREFUGE.COM		SIZE C	MODEL FILE NAME: AOR-32
		REV 1.0	SCALE: 1:6 WEIGHT: SHEET 1 OF 1