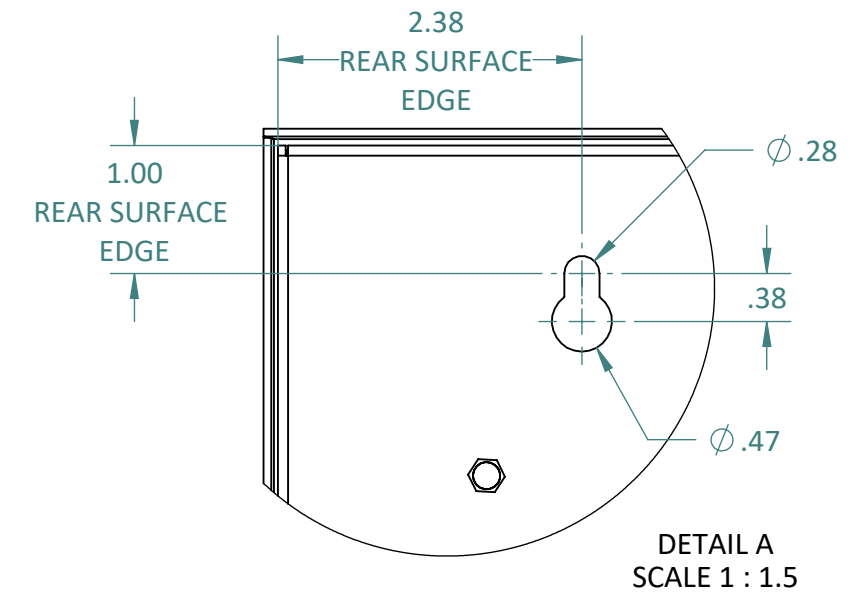
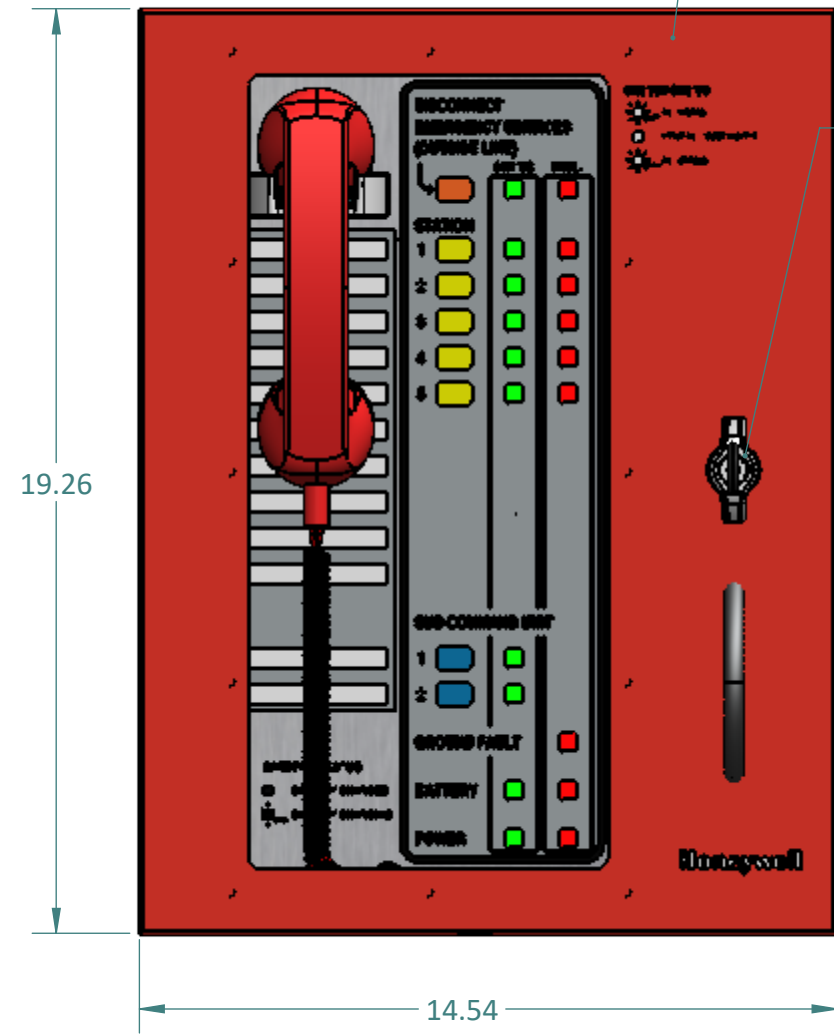


TOP VIEW

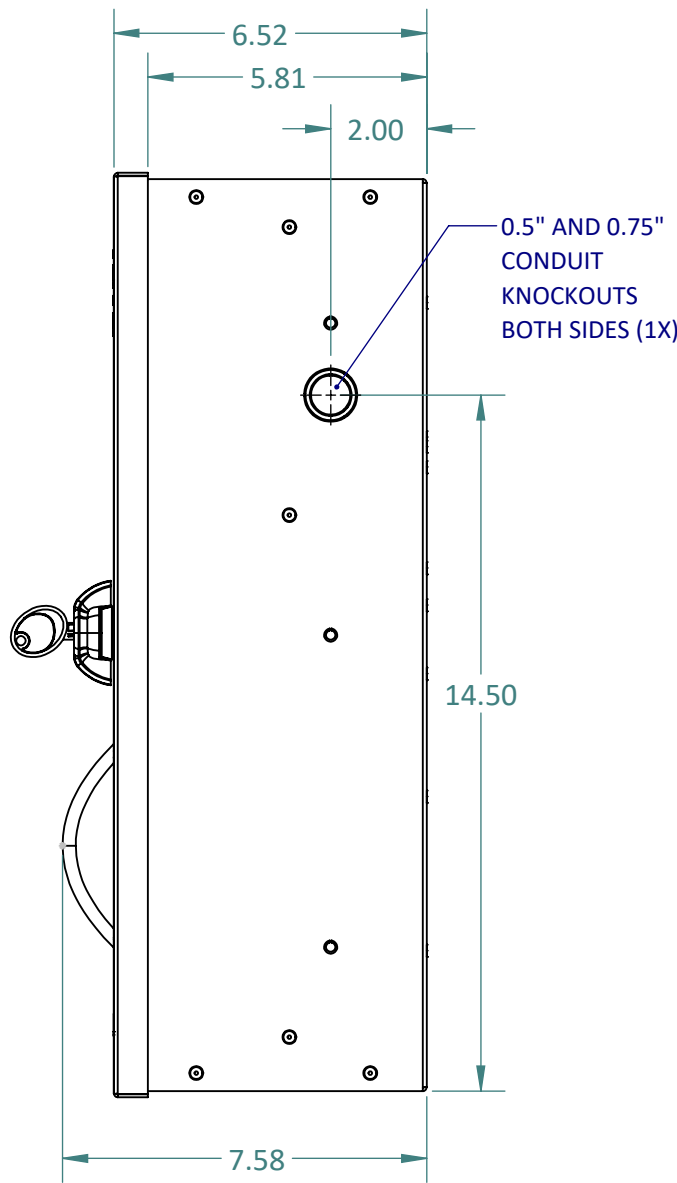


DETAIL A  
SCALE 1 : 1.5

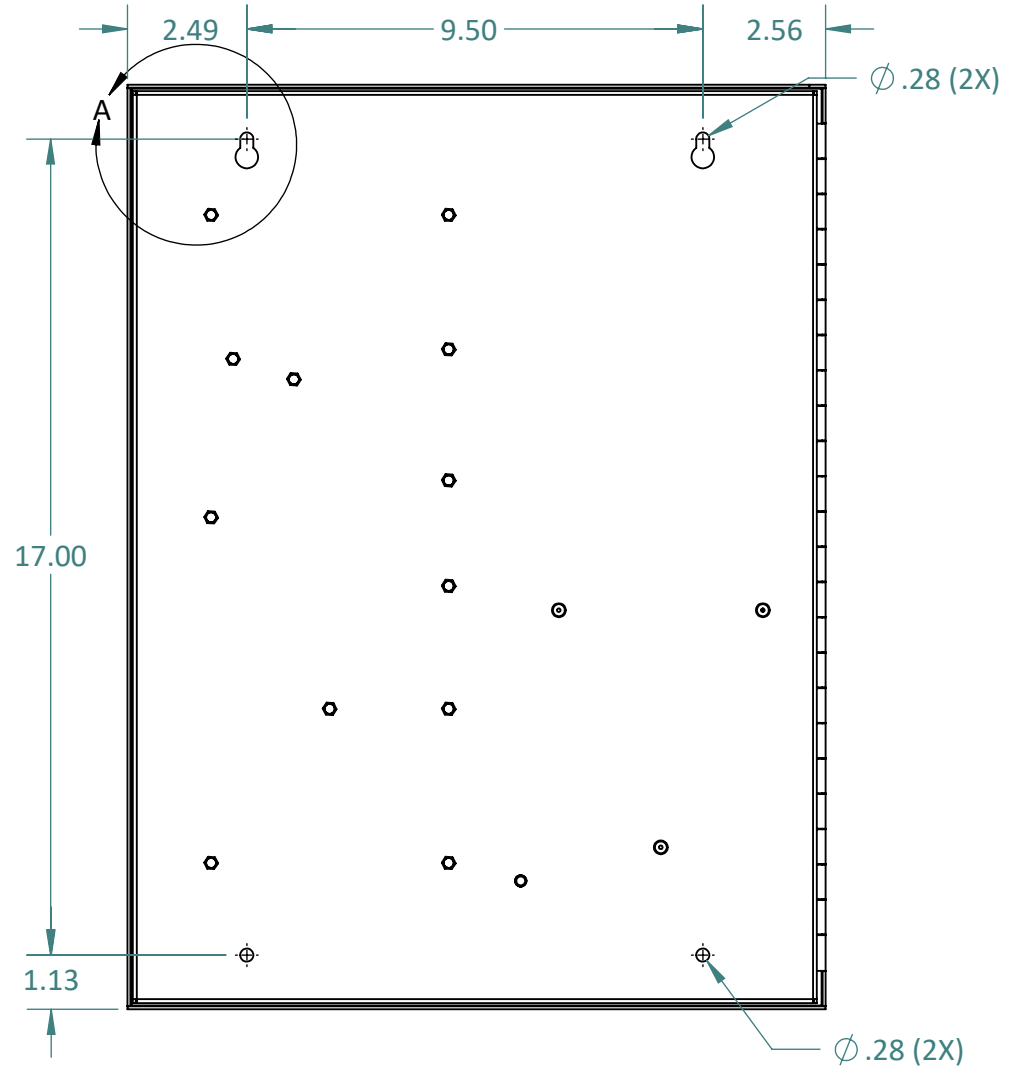
ENCLOSURE (POWDER COATED):  
RED  
COLOR CODE:  
RAL 3020



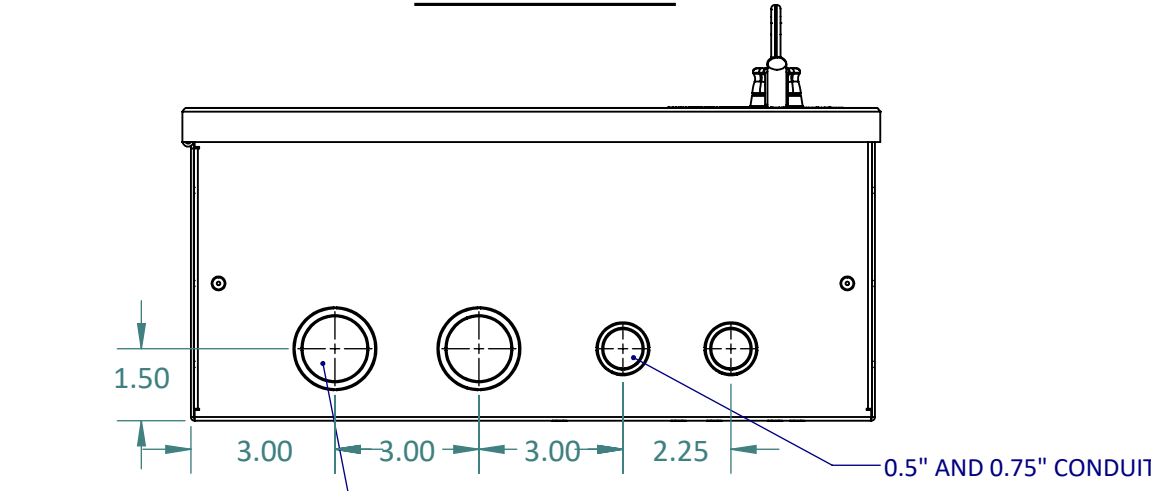
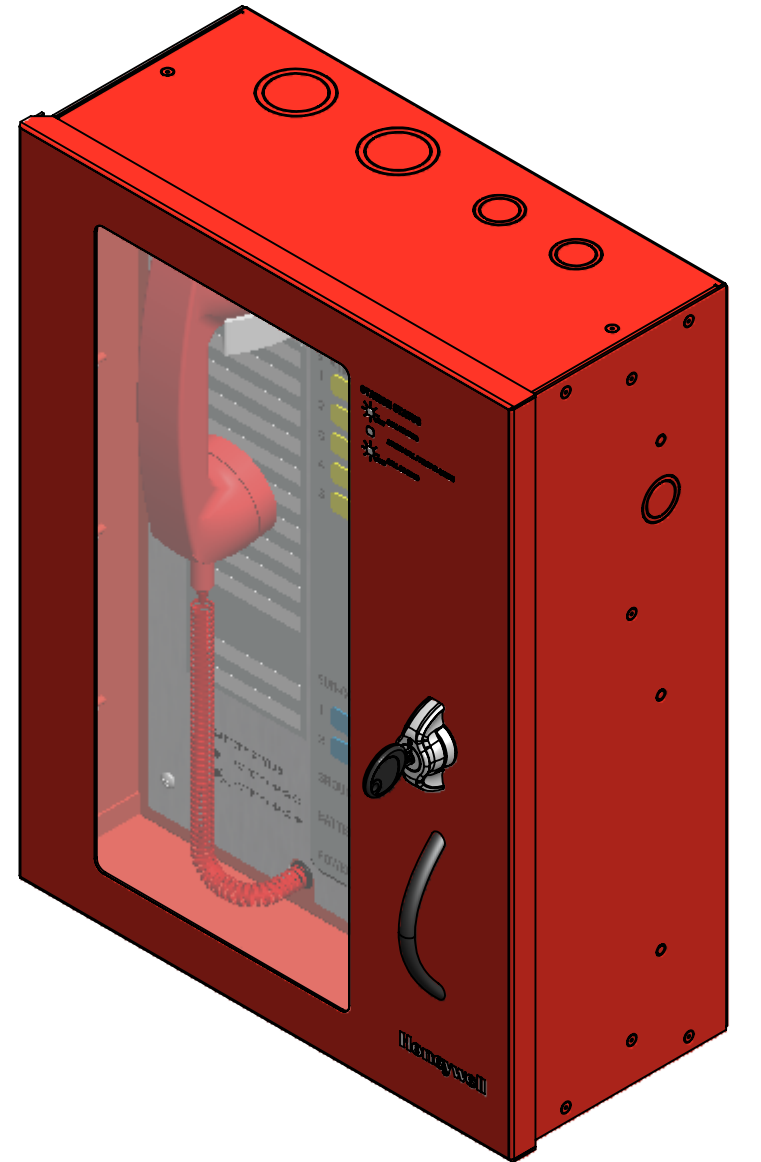
FRONT VIEW



SIDE VIEW



REAR VIEW



BOTTOM VIEW

**MODEL(S):**  
HON-AOR-5-DKL-R / HON-AOR-5-DKL-ETL-R

**DESCRIPTION:**  
AREA OF REFUGE COMMAND UNIT WITH 5-STATION CAPACITY.  
USE HON-AOR-TR10-D-R TO FLUSH MOUNT.  
ENCLOSURE IS PAINTED RED (RAL 3020)

1.0	MARKETING RELEASE	04/09/2024	K PATEL
REV.	DESCRIPTION	DATE	APPROVED
REVISIONS			
SPECIFICATIONS ARE SUBJECT TO CHANGE WITHOUT NOTICE	UNLESS OTHERWISE SPECIFIED:	NAME	DATE
	DIMENSIONS ARE IN INCHES	DRAWN	K PATEL 4/9/2024
	TOLERANCES:	CHECKED	C WONG 4/9/2024
	DRILL HOLE: -0.00 / +0.003	ENG APPR.	
ANGULAR: MACH ± 1° BEND ± 1°	MFG APPR.		
TWO PLACE DECIMAL ± 0.01			
THREE PLACE DECIMAL ± 0.005			
DO NOT SCALE DRAWING	INTERPRET GEOMETRIC TOLERANCING PER: ASME Y14.5-2009	Q.A.	
PROPRIETARY AND CONFIDENTIAL			
THE HONEYWELL TRADEMARK IS USED UNDER LICENSE FROM HONEYWELL INTERNATIONAL INC.			
HONEYWELL INTERNATIONAL INC. MAKES NO REPRESENTATION OR WARRANTIES WITH RESPECT TO THESE PRODUCTS. THESE PRODUCTS ARE MANUFACTURED BY TALK-A-PHONE, LLC, NILES, IL 60714, USA.			
© 2024 TALK-A-PHONE, LLC. ALL RIGHTS RESERVED. ANY REPRODUCTION IN PART OR AS A WHOLE WITHOUT THE WRITTEN PERMISSION OF TALK-A-PHONE, LLC IS PROHIBITED.			
SIZE	MODEL FILE NAME:	REV	
C	AOR-10_ASSY	1.0	
SCALE: 1:4	WEIGHT:		SHEET 1 OF 1

**Honeywell**

TALK-A-PHONE, LLC  
7530 N. NATCHEZ AVE., NILES, IL 60714  
773-539-1100  
INFO@TALKAPHONE.COM  
WWW.HONEYWELLAREAOFPREFUGE.COM