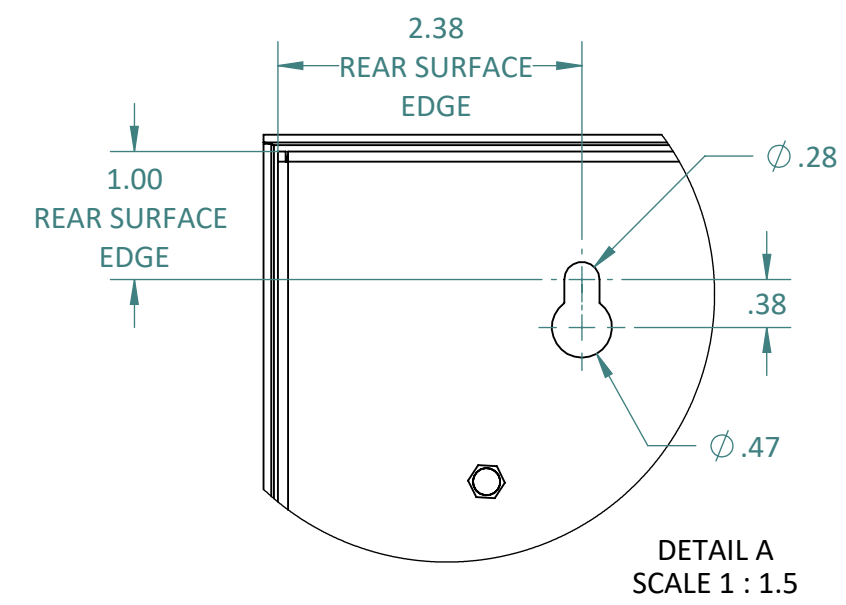
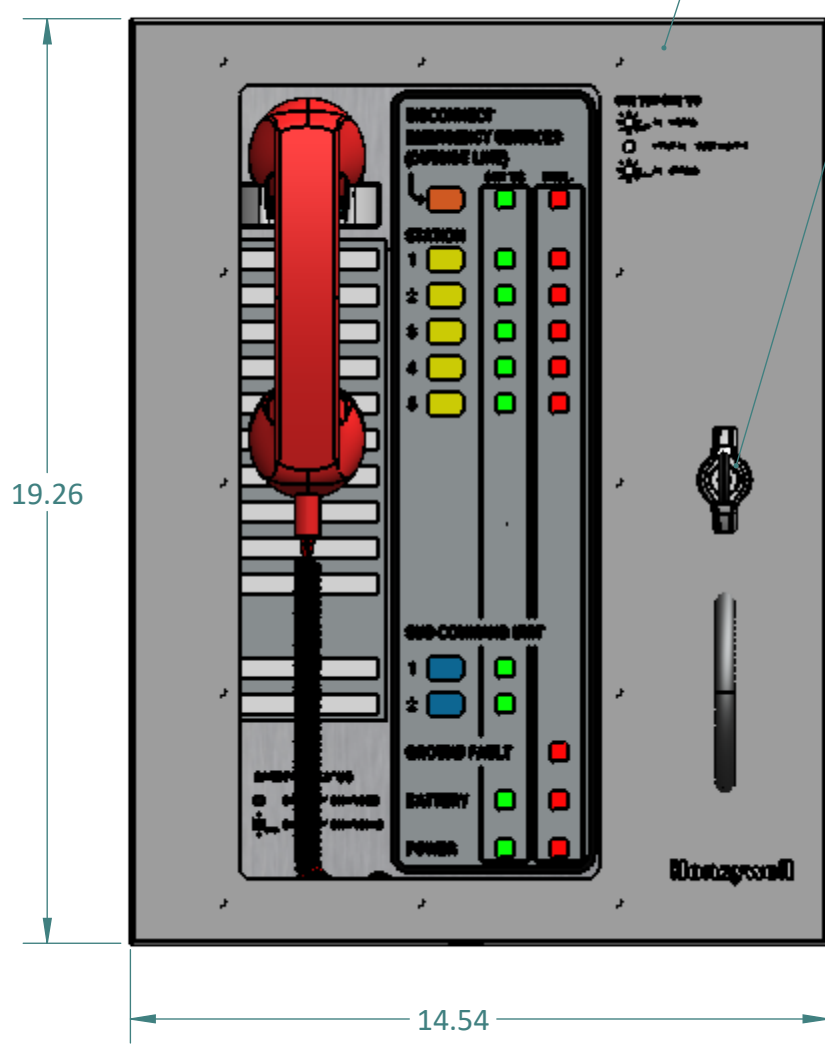


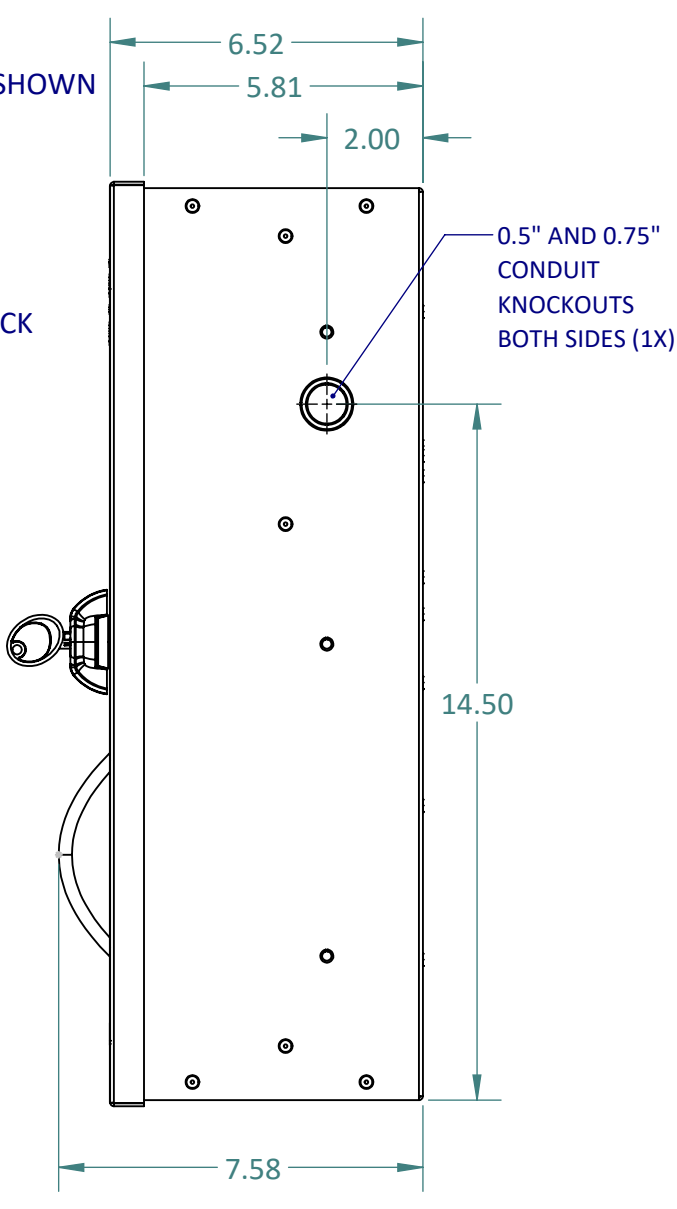
TOP VIEW



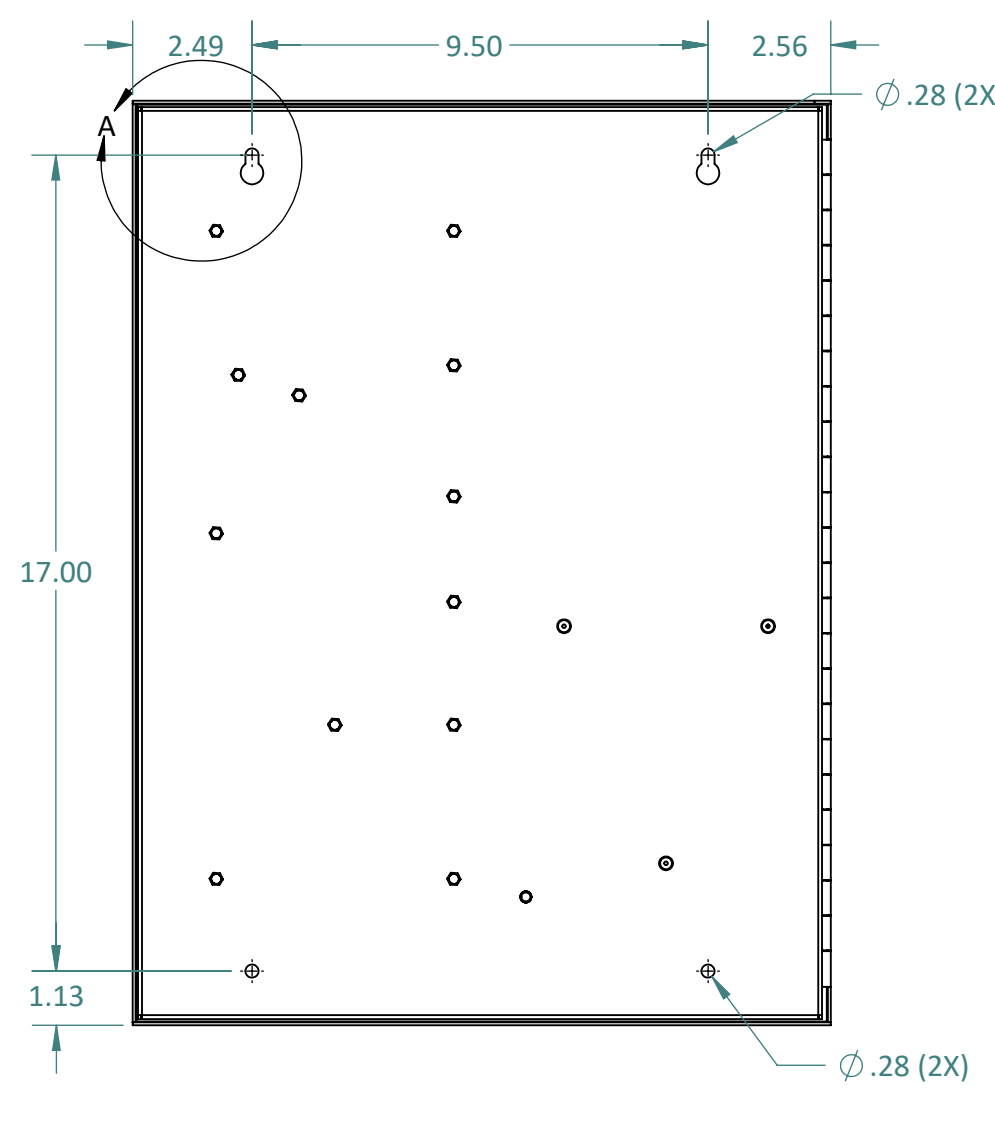
ENCLOSURE (POWDER COATED):
BLACK
COLOR CODE:
RAL 9005
[LIGHTER COLOR SHADE SHOWN
FOR DETAIL CLARITY]



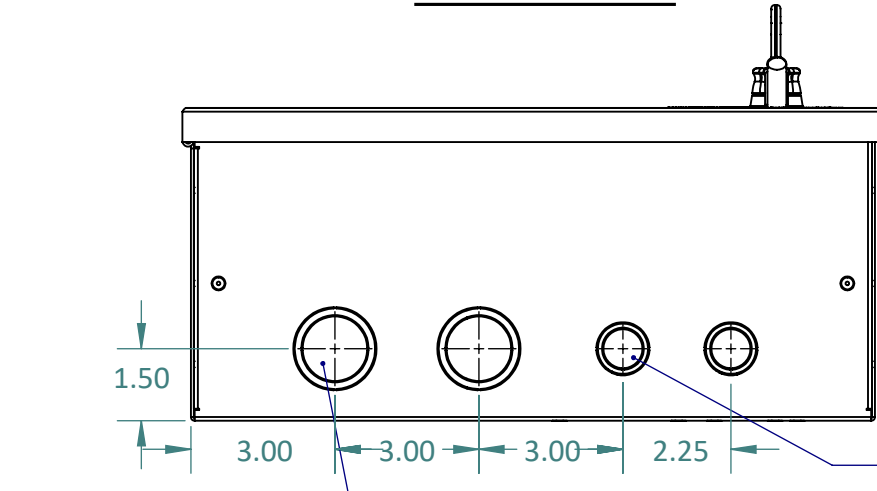
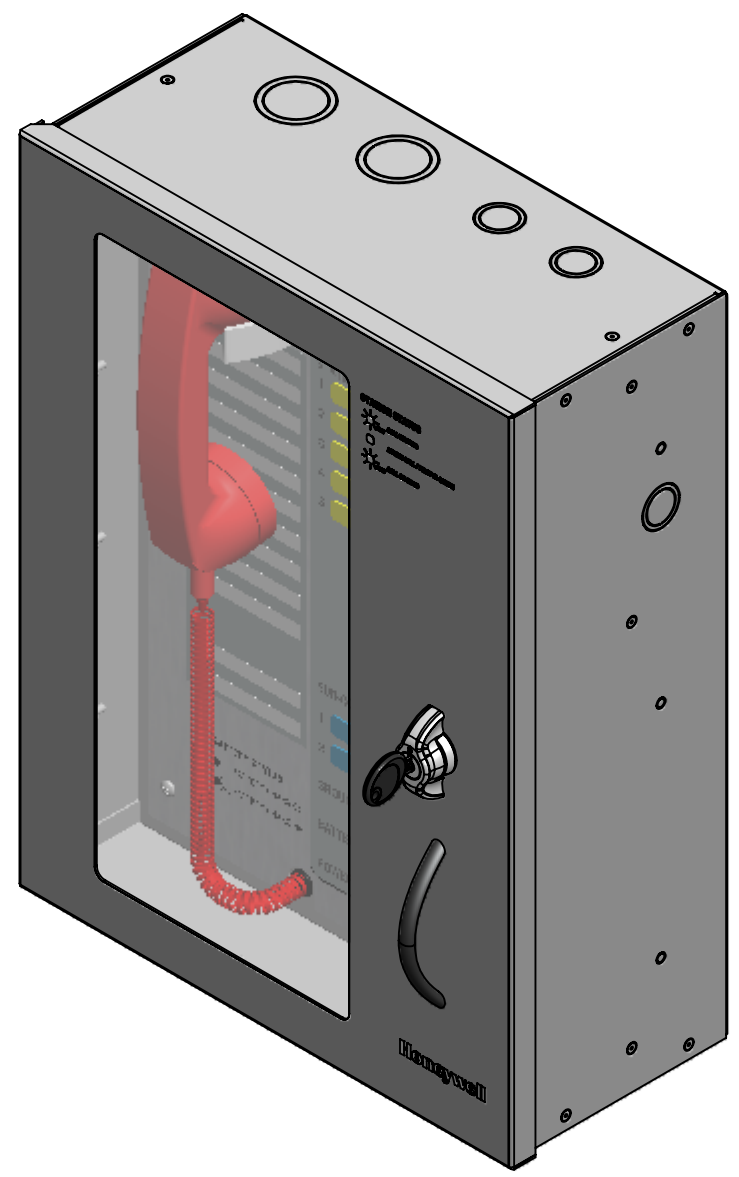
FRONT VIEW



SIDE VIEW



REAR VIEW



BOTTOM VIEW

MODEL(S):
HON-AOR-5-DKL / HON-AOR-5-DKL-ETL

DESCRIPTION:
AREA OF REFUGE COMMAND UNIT WITH 5-STATION CAPACITY.
USE HON-AOR-TR10-D TO FLUSH MOUNT.
ENCLOSURE IS PAINTED BLACK (RAL 9005)

1.0	MARKETING RELEASE	04/09/2024	K PATEL
REV.	DESCRIPTION	DATE	APPROVED
REVISIONS			
SPECIFICATIONS ARE SUBJECT TO CHANGE WITHOUT NOTICE	UNLESS OTHERWISE SPECIFIED: DIMENSIONS ARE IN INCHES TOLERANCES: DRILL HOLE: -0.00 / +0.003 ANGULAR: MACH ± 1° BEND ± 1° TWO PLACE DECIMAL ± 0.01 THREE PLACE DECIMAL ± 0.005	NAME	DATE
	INTERPRET GEOMETRIC TOLERANCING PER: ASME Y14.5-2009	Q.A.	
	DO NOT SCALE DRAWING		
	PROPRIETARY AND CONFIDENTIAL THE HONEYWELL TRADEMARK IS USED UNDER LICENSE FROM HONEYWELL INTERNATIONAL INC. HONEYWELL INTERNATIONAL INC. MAKES NO REPRESENTATION OR WARRANTIES WITH RESPECT TO THESE PRODUCTS. THESE PRODUCTS ARE MANUFACTURED BY TALK-A-PHONE, LLC, NILES, IL 60714, USA.		
<p style="text-align: center;">Honeywell</p> <p>TALK-A-PHONE, LLC 7530 N. NATCHEZ AVE., NILES, IL 60714 773-539-1100 INFO@TALKAPHONE.COM WWW.HONEYWELLAREAOFRREFUGE.COM</p>		SIZE	MODEL FILE NAME:
<p>© 2024 TALK-A-PHONE, LLC. ALL RIGHTS RESERVED. ANY REPRODUCTION IN PART OR AS A WHOLE WITHOUT THE WRITTEN PERMISSION OF TALK-A-PHONE, LLC IS PROHIBITED.</p>		C	AOR-10_ASSY
		SCALE: 1:4	WEIGHT:
			REV 1.0
			SHEET 1 OF 1