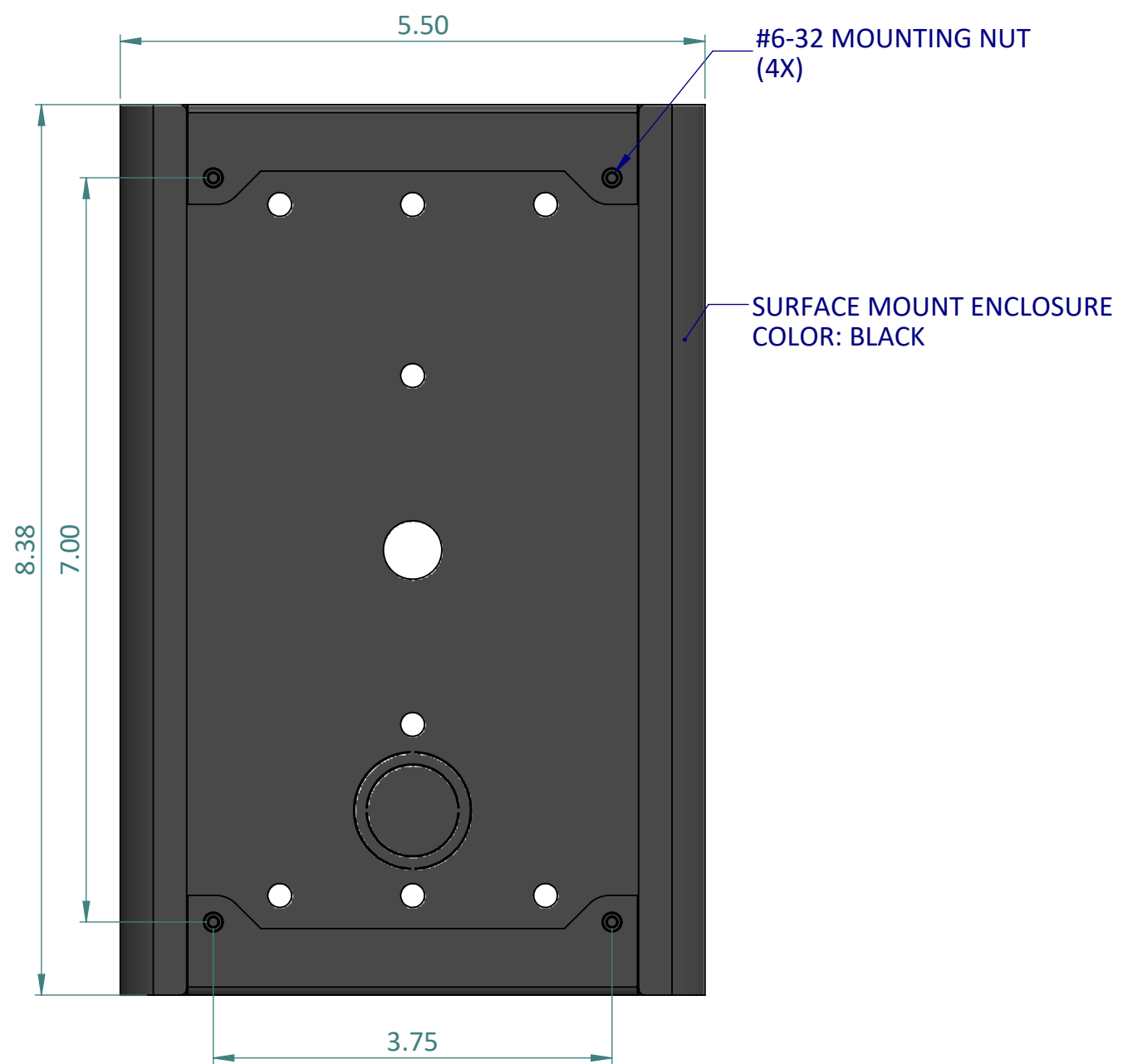
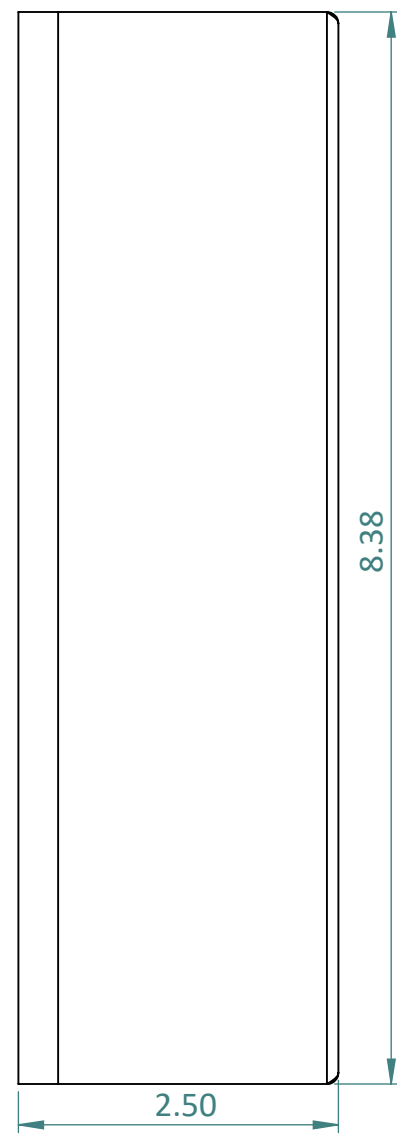


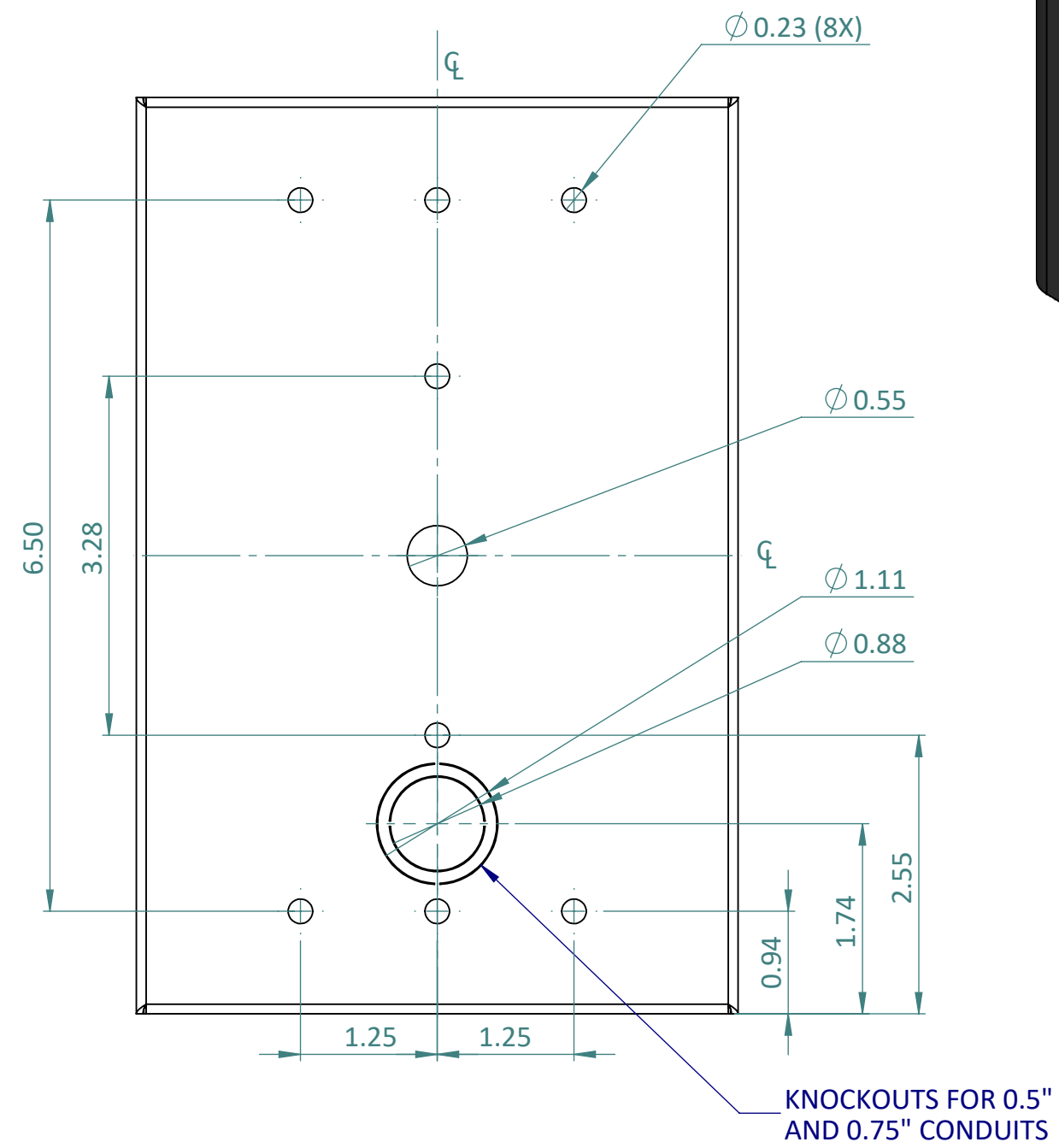
TOP VIEW



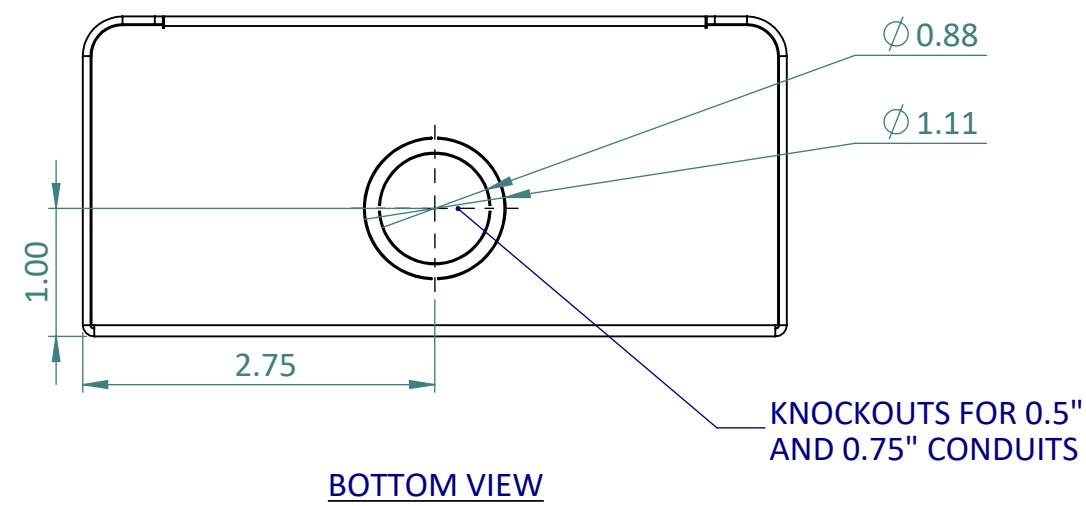
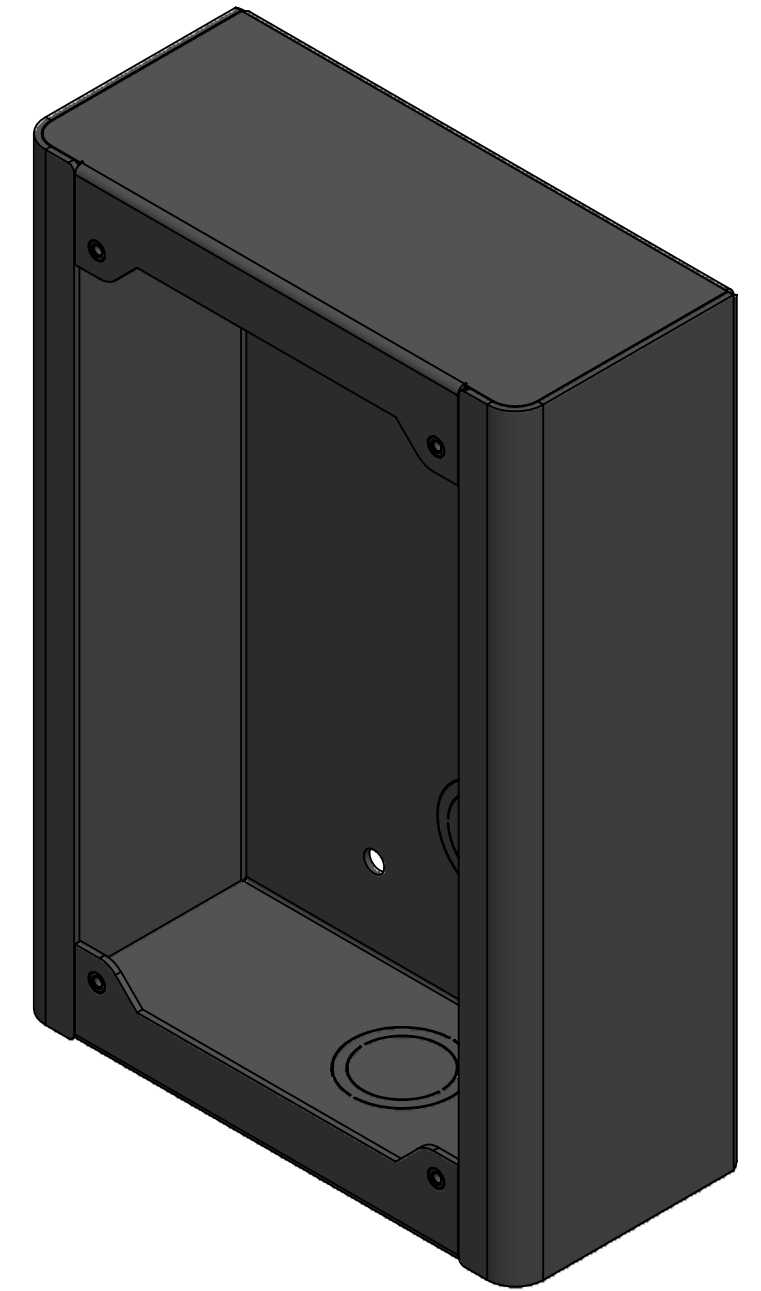
FRONT VIEW



SIDE VIEW



REAR VIEW



BOTTOM VIEW

MODEL(S):
AOR-CS-SM-1

DESCRIPTION:
SURFACE MOUNT FOR HON-AOR ANALOG CALL-STATION.

1.0	MARKETING RELEASE	04/15/2024	K PATEL
REV.	DESCRIPTION	DATE	APPROVED
REVISIONS			
	NAME	DATE	
DRAWN	K PATEL	4/15/2024	
CHECKED	C WONG	4/15/2024	
ENG APPR.			
MFG APPR.			
Q.A.			
<p>DO NOT SCALE DRAWING</p> <p>PROPRIETARY AND CONFIDENTIAL</p> <p>THE HONEYWELL TRADEMARK IS USED UNDER LICENSE FROM HONEYWELL INTERNATIONAL INC.</p> <p>HONEYWELL INTERNATIONAL INC. MAKES NO REPRESENTATION OR WARRANTIES WITH RESPECT TO THESE PRODUCTS. THESE PRODUCTS ARE MANUFACTURED BY TALK-A-PHONE, LLC, NILES, IL 60714, USA.</p> <p>© 2024 TALK-A-PHONE, LLC. ALL RIGHTS RESERVED. ANY REPRODUCTION IN PART OR AS A WHOLE WITHOUT THE WRITTEN PERMISSION OF TALK-A-PHONE, LLC IS PROHIBITED.</p>			
<p>SPECIFICATIONS ARE SUBJECT TO CHANGE WITHOUT NOTICE</p> <p>UNLESS OTHERWISE SPECIFIED: DIMENSIONS ARE IN INCHES TOLERANCES: DRILL HOLE -0.00/+0.003 ANGULAR: MACH ± 1° BEND ± 1° TWO PLACE DECIMAL ± 0.01 THREE PLACE DECIMAL ± 0.005 INTERPRET GEOMETRIC TOLERANCING PER: ASME Y14.5-2009</p>		<p>Honeywell</p> <p>TALK-A-PHONE, LLC 7530 N. NATCHEZ AVE., NILES, IL 60714 773-539-1100 INFO@TALKAPHONE.COM WWW.HONEYWELLAREAOFRREFUGE.COM</p>	
SIZE	MODEL FILE NAME:	REV	
C	AOR_CS_SERIES_ASSY	1.0	
SCALE: 2:3	WEIGHT:	SHEET 1 OF 1	