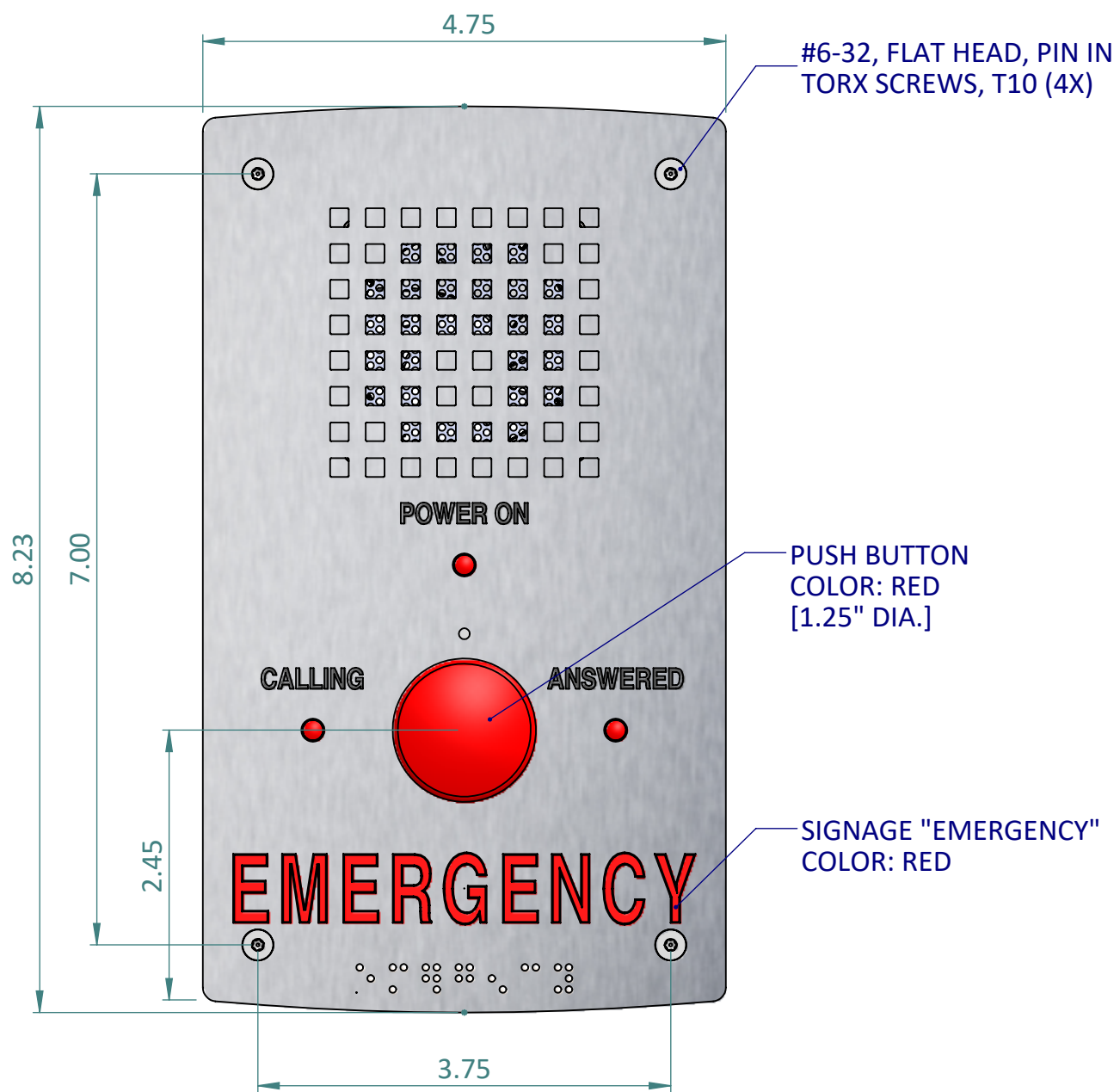
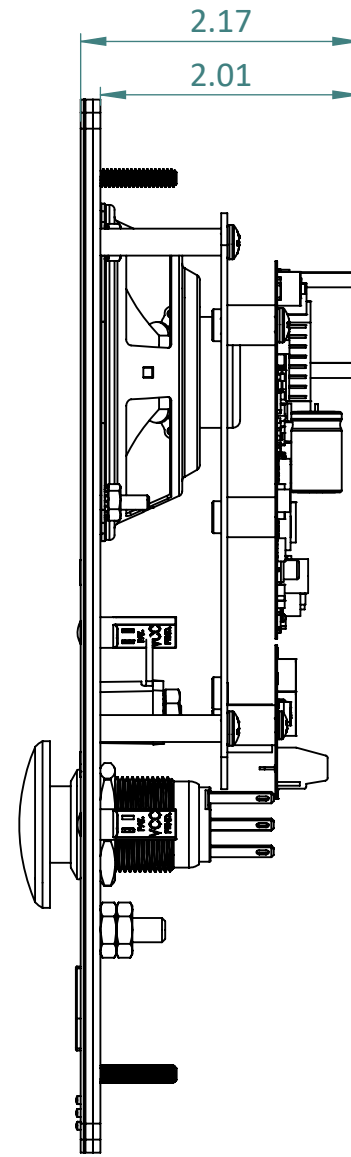


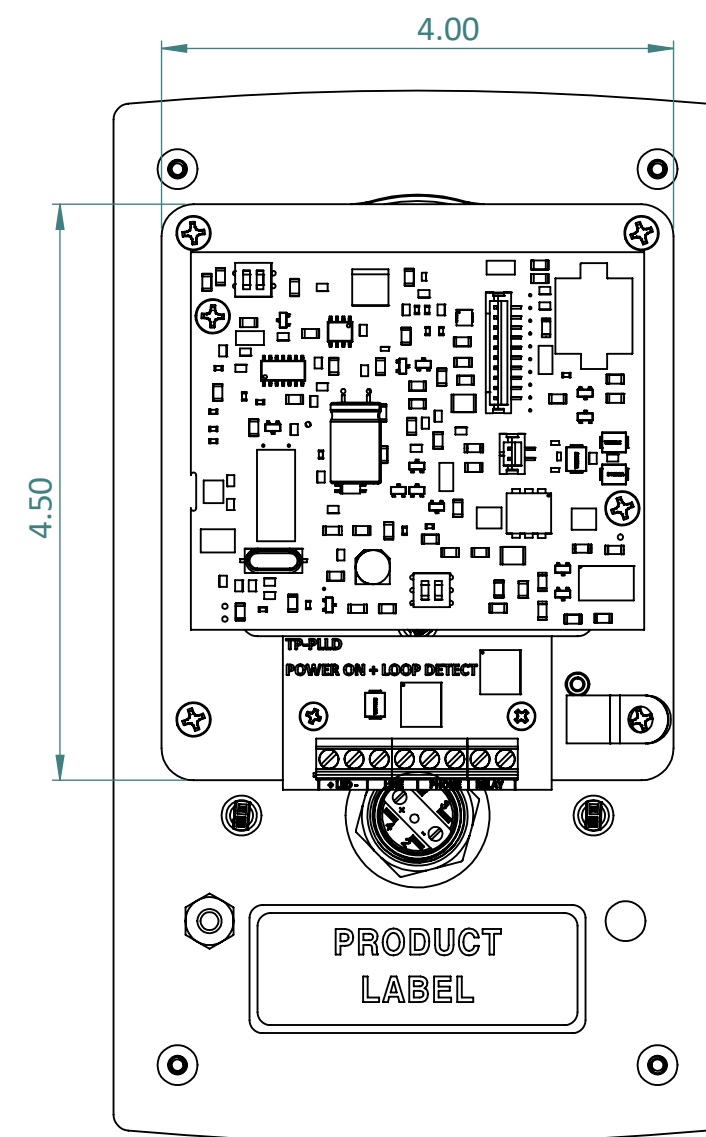
TOP VIEW



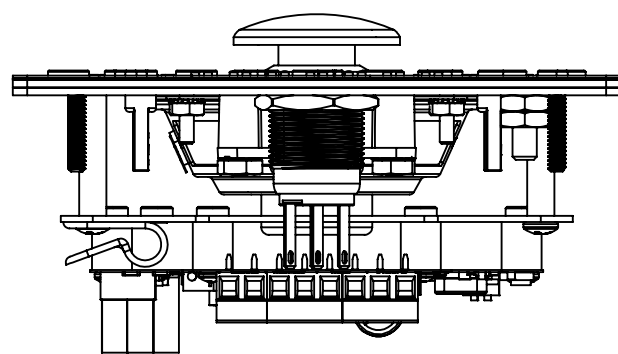
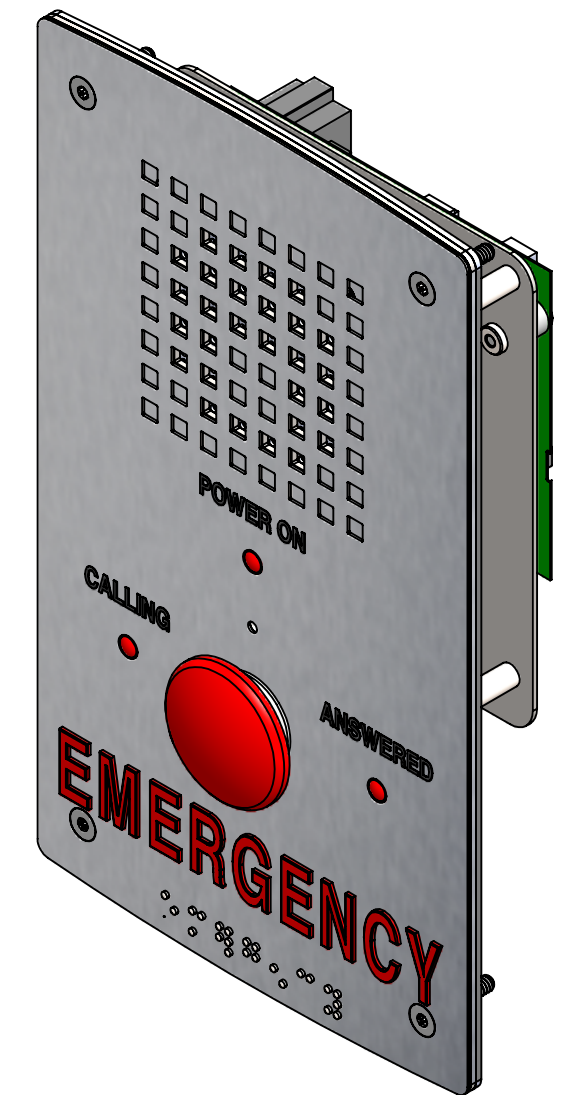
FRONT VIEW



SIDE VIEW



REAR VIEW



BOTTOM VIEW

MODEL(S):
HON-AOR-CSE-NM-1RO-ETL

DESCRIPTION:
HON-AOR ANALOG STATION WITH EMERGENCY SIGNAGE WITH 1 RELAY OUTPUT. UL2525 STD. DOES NOT INCLUDE MOUNT.

1.0	MARKETING RELEASE	04/15/2024	K PATEL
REV.	DESCRIPTION	DATE	APPROVED
REVISIONS			
SPECIFICATIONS ARE SUBJECT TO CHANGE WITHOUT NOTICE	UNLESS OTHERWISE SPECIFIED: DIMENSIONS ARE IN INCHES TOLERANCES: DRILL HOLE -0.00 / +0.003 ANGULAR: MACH ± 1° BEND ± 1° TWO PLACE DECIMAL ± 0.01 THREE PLACE DECIMAL ± 0.005	NAME	DATE
	DO NOT SCALE DRAWING	DRAWN	K PATEL 4/15/2024
	PROPRIETARY AND CONFIDENTIAL	CHECKED	C WONG 4/15/2024
	THE HONEYWELL TRADEMARK IS USED UNDER LICENSE FROM HONEYWELL INTERNATIONAL INC. HONEYWELL INTERNATIONAL INC. MAKES NO REPRESENTATION OR WARRANTIES WITH RESPECT TO THESE PRODUCTS. THESE PRODUCTS ARE MANUFACTURED BY TALK-A-PHONE, LLC, NILES, IL 60714, USA.	ENG APPR.	
© 2024 TALK-A-PHONE, LLC. ALL RIGHTS RESERVED. ANY REPRODUCTION IN PART OR AS A WHOLE WITHOUT THE WRITTEN PERMISSION OF TALK-A-PHONE, LLC IS PROHIBITED.	MFG APPR.		
<p style="text-align: center;">Honeywell</p> <p>TALK-A-PHONE, LLC 7530 N. NATCHEZ AVE., NILES, IL 60714 773-539-1100 INFO@TALKAPHONE.COM WWW.HONEYWELLAREAOFPREFUGE.COM</p>		Q.A.	
SIZE	MODEL FILE NAME:	REV	
C	AOR_CS_SERIES_ASSY	1.0	
SCALE: 2:3	WEIGHT:	SHEET 1 OF 1	