

UL 2525 and NFPA 72 Compliant Analog Area of Refuge Call Stations

The analog Area of Refuge (AOR) Call Station is an indoor, hands-free ADA-compliant two-way communication endpoint for use with an analog AOR Command Unit in Areas of Refuge (Areas of Rescue Assistance) or elevator landings.

FEATURES AND BENEFITS

- UL 2525 Listed AOR Call Stations (with **-ETL** in the model number) are fully compliant with NFPA 72 (2022) §24.10, IBC (2024) §1009.8, ICC A117.1 (2017) Ch. 7, and ADAAG (2010) Ch. 7
- Standard AOR Call Stations conform to NFPA 72 (2022) §24.10, IBC (2021) §1009.8, ICC A117.1 (2017) Ch. 7, and ADAAG (2010) Ch. 7
- Vandal resistant stainless steel faceplate and metal button
- Line-powered by an analog AOR Command Unit—separate power supply or battery backup not required
- Push button once to call, then speak hands-free
- Two (2) LED indicators are provided to indicate a visual status (CALLING and ANSWERED)
- Built-in auto-dialer can dial up to five (5) numbers. If first number does not answer or is busy, dials second number. If second number does not answer or is busy, dials third number—and so on.
- Auto-answers inbound calls—facilitating a return call should two-way communication need to take place after termination of the initial call
- Automatically inform attendant of the physical location of the AOR Call Station through a pre-recorded voice message that plays at the beginning of a call
- Ready for either surface or flush mounting through available mounting enclosures
- Available configuration ETL Listed to UL 2525 (provides “POWER ON” LED, 1.25-inch dia. pushbutton, and one (1) relay output). Requires Command Unit configured with the **-ETL** option.



UL 2525 Listed Model:
HON-AOR-CSE-NM-1RO-ETL



Model:
HON-AOR-CSE-NM



Analog Area of Refuge Call Stations Ordering Information

AOR CALL STATIONS

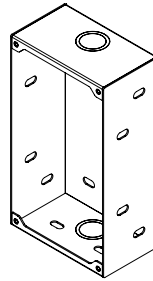
MODEL NUMBER	DESCRIPTION
HON-AOR-CSE-NM	Analog AOR Call Station with EMERGENCY signage. Does not include mount.
HON-AOR-CSE-NM-1RO-ETL	Analog AOR Call Station with EMERGENCY signage, one (1) relay output, "POWER ON" LED, and 1.25-inch dia. pushbutton. Does not include mount. ETL Listed to UL 2525. Requires Command Unit configured with the -ETL option.



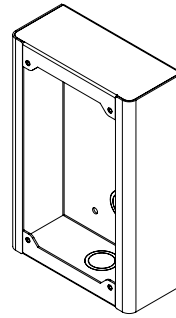
Model:
HON-AOR-CSE-NM

MOUNTS FOR AOR CALL STATIONS

MODEL NUMBER	DESCRIPTION
HON-AOR-CS-FM-1	Flush mount for AOR Call Stations.
HON-AOR-CS-SM-1	Surface mount for AOR Call Stations.



Model:
HON-AOR-CS-FM-1



Model:
HON-AOR-CS-SM-1

SIGNAGE

MODEL NUMBER	DESCRIPTION
AOR-SIGN-AD-EC-1	Acrylic, self-adhesive, "EMERGENCY COMMUNICATION" sign. Includes ADA symbol of accessibility, raised letters, and braille. White on blue. Measures 7.75 in. x 7.75 in.
AOR-SIGN-AD-EC-2	Photoluminescent plastic, self-adhesive, "EMERGENCY COMMUNICATION" sign. Includes ADA symbol of accessibility. Measures 7.75 in. x 7.75 in.
AOR-SIGN-ADG-AR-1	Photoluminescent plastic, self-adhesive, "AREA OF RESCUE" sign. Includes ADA symbol of accessibility. Measures 7.75 in. x 7.75 in.
ETP-SIGN	Polycarbonate, self-adhesive Area of Rescue sign
ETP-SIGN/R	Polycarbonate, self-adhesive Area of Refuge sign
ETP-SIGN-PFH	Polycarbonate, self-adhesive Push For Help sign
ETP-SIGN/L	Lighted Area of Rescue Sign
ETP-SIGN/LR	Lighted Area of Refuge Sign
ETP-SIGN/LD	Deluxe Lighted Area of Rescue Sign w/ battery backup
ETP-SIGN/LDR	Deluxe Lighted Area of Refuge Sign w/ battery backup



Model:
ETP-SIGN



Model:
ETP-SIGN/R



Model:
ETP-SIGN/L



Model:
ETP-SIGN/LR



Model:
ETP-SIGN/LD



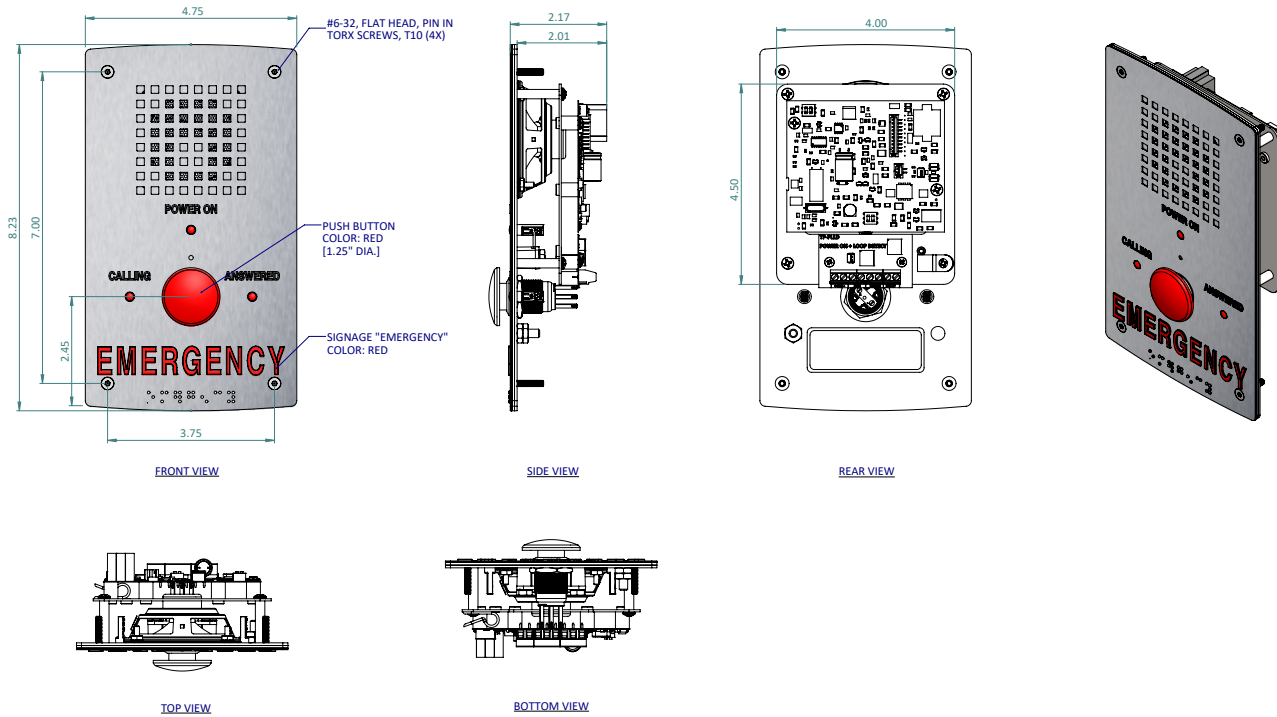
Model:
ETP-SIGN/LDR



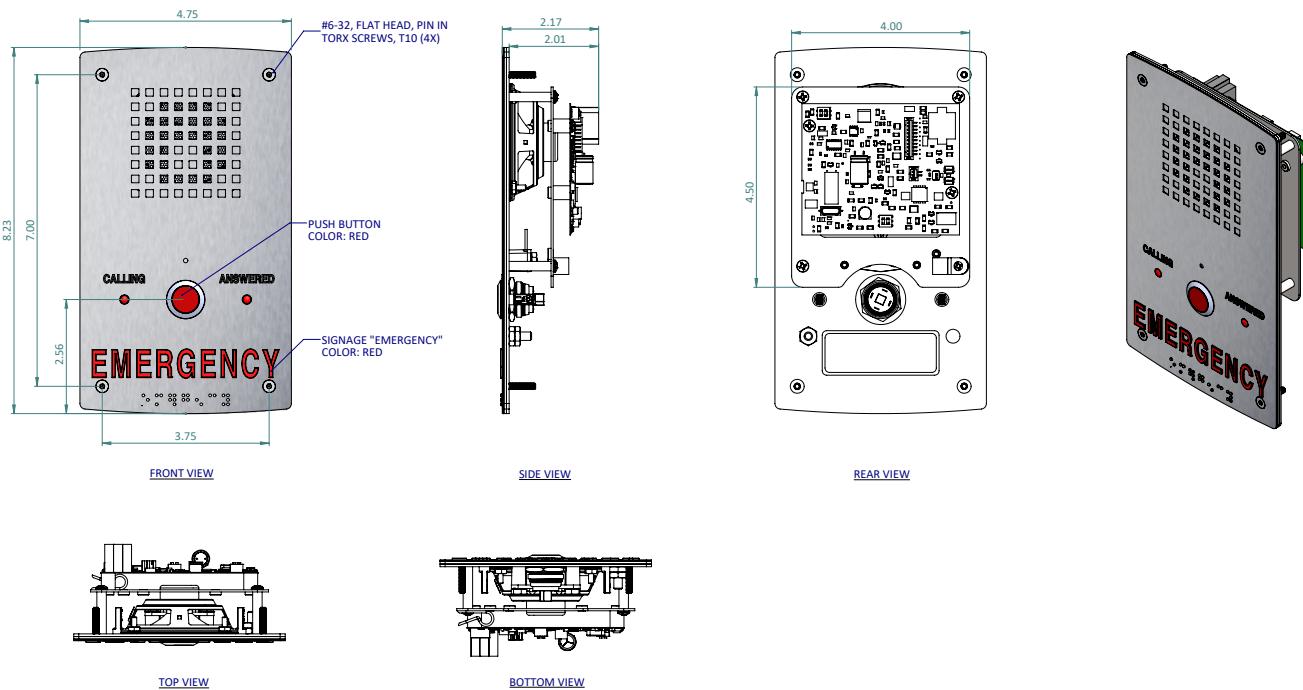
Model:
ETP-SIGN-PFH

Analog Area of Refuge Call Stations Dimensions

MODEL: HON-AOR-CSE-NM-1RO-ETL



MODEL: HON-AOR-CSE-NM



IMPORTANT NOTE: All dimensions are in inches and are provided for reference only.

Analog Area of Refuge Call Stations Technical Specifications

CONSTRUCTION

0.09" (2.2mm) #4 brushed 304 stainless steel faceplate

PHYSICAL

Dimensions (with flush mount): 4.75 x 8.23 x 2.76 in.

Dimensions (with surface mount): 5.50 x 8.38 x 2.75 in.

WEIGHT

6 lbs (2.7kg)

MOUNTING

Flush and surface mounts (sold separately)

COMMUNICATION

Two-way hands-free communication

DIGITAL CAPACITY

Up to 20-digits, including 4-second pause, for each of five (5) phone numbers

POWER SOURCE

Line-powered by the analog command unit (requires 20mA at 24 V off-hook)

CONNECTION

Parallel tip and ring flying leads for field installation

PROGRAMMING

Non-volatile EEPROM programming can be done from a telephone test set. No battery backup is needed.

"ON TIME"

Programmable for no limit or from 1 to 9 minutes in 1-minute increments

WIRING REQUIREMENTS

One (1) twisted-shielded pair

OPERATING TEMPERATURE

32°F to +120°F (0°C to +49°C)

RELATIVE HUMIDITY

Up to 95% non-condensing

WARRANTY

5-year limited warranty

Talk-A-Phone, LLC

7530 N. Natchez Ave.

Niles, IL 60714

773.539.1100

sales@talkaphone.com

www.honeywellareaofrefuge.com

© 2024 Talk-A-Phone, LLC. All rights reserved.
Specifications subject to change without notice.

The Honeywell trademark is used under license from Honeywell International Inc. Honeywell International Inc. makes no representation or warranties with respect to these products. These products are manufactured by Talk-A-Phone, LLC, Niles, IL 60714, USA.

730-00004 | Rev A | 06/12/2024

The Honeywell logo, consisting of the word "Honeywell" in a bold, red, sans-serif font.