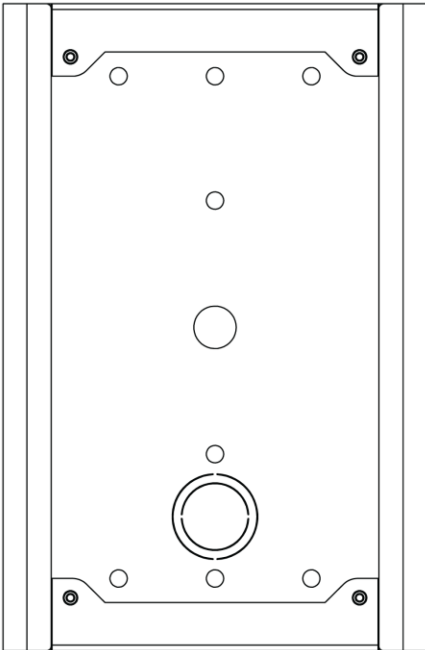




AREA OF REFUGE USER MANUAL AND INSTALLATION GUIDE

Read and save these instructions before installation and use



Model number(s)
HON-AOR-CS-SM-1

DISCLAIMER

This document contains Talkaphone proprietary information.

Information contained herein is to be used solely for the purpose submitted, and no part of this document or its contents shall be reproduced, published, or disclosed to a third party without the express permission of Talk-A-Phone, LLC.

While this information is presented in good faith and believed to be accurate, Talkaphone disclaims the implied warranties of merchantability and fitness for a purpose and makes no express warranties except as may be stated in its written agreement with and for its customer.

In no event is Talkaphone liable to anyone for any direct, special, or consequential damages. The information and specifications in this document are subject to change without notice.

Talk-A-Phone and Talkaphone are registered trademarks of Talk-A-Phone, LLC. All rights reserved. Find out more at www.talkaphone.com.

The Honeywell trademark is used under license from Honeywell International Inc.

Honeywell International Inc. makes no representation or warranties with respect to these products. These products are manufactured by Talk-A-Phone, LLC, Niles, IL 60714, USA.

Copyright 2024 Talk-A-Phone, LLC


 <p>CAUTION</p>	<p>THIS PRODUCT MUST BE INSTALLED IN ACCORDANCE WITH THE NFPA 72 STANDARD, THE NATIONAL ELECTRIC CODE (NEC), AND ALL APPLICABLE FEDERAL, STATE, AND LOCAL STATUTES, REGULATIONS, AND BUILDING CODES.</p> <p>THIS PRODUCT MUST BE INSTALLED IN ACCORDANCE WITH THE APPLICABLE INSTALLATION CODE BY A PERSON FAMILIAR WITH THE CONSTRUCTION AND OPERATION OF THE PRODUCT AND THE HAZARDS INVOLVED.</p>
--	--

Table of contents

ABOUT THIS GUIDE.....	4
CONTENTS 5	
TECHNICAL REQUIREMENTS	6
INSTALLATION 7	
SYSTEM MAINTENANCE	9
SERVICING 10	
LIMITED WARRANTY INFORMATION.....	11

About this guide

Scope

This installation guide describes how to install Model **HON-AOR-CS-SM-1**.

For instructions on installation of Area of Refuge (AOR) Call Stations, please refer to the manual for the HON-AOR-CS Analog Call Station.

It is recommended that this instruction set be read completely prior to the start of any installation.

Revision history

Revision	Supported Release	Date	Description
1.0	Hardware 1.0	June 3, 2024	<ul style="list-style-type: none">Initial release of HON-AOR-CS-SM-1.


Intended audience

This guide is primarily intended for field personnel who install the product.

Related documents

The following list identifies publications that may contain information relevant to the information in this document:


- None at this time


 ATTENTION	This installation guide only applies to Hardware Release 1.0.
--	---

Contents

Please ensure receipt of each of the included **HON-AOR-CS-SM-1 Surface Mount** components:

Qty	Part Number	Description
1	HON-AOR-CS-SM-1	Surface mount for HON-AOR-CS Analog Call Stations

 ATTENTION	<p>You should inspect the product when unpacking the box for possible damage in shipment. If it is damaged or any of the components are missing, please contact your distributor immediately. Do not discard any hardware or packing material before you are certain you have all the items listed above, and the unit is installed and functioning correctly.</p>
--	--

 CAUTION	<p>FOR UL 2525 APPROVED CALL STATIONS (I.E. MODEL NUMBERS WITH THE -ETL DESIGNATOR), SYSTEM MUST BE INSTALLED WITH AN UL 2525 APPROVED COMMAND UNIT (I.E. MODEL NUMBERS WITH THE -ETL DESIGNATOR) AND AN OFFICIAL POWER SUPPLY MODEL HON-AOR-PSU-5-10.</p> <p>THIS PRODUCT MUST BE INSTALLED IN ACCORDANCE WITH THE NFPA 72 STANDARD, THE NATIONAL ELECTRIC CODE (NEC), AND ALL APPLICABLE FEDERAL, STATE, AND LOCAL STATUTES, REGULATIONS, AND BUILDING CODES.</p> <p>THIS PRODUCT IS INTENDED FOR INDOOR USE ONLY.</p>
--	---

The following accessory component is including with each HON-AOR-CS Analog Call Station (sold separately). If spare or replacement parts are needed, please contact Talkphone Area of Refuge (AOR) Support for servicing. See, [Servicing \(p.12\)](#), for contact information.

Qty	Part Number	Description
4	42937	6-32 x 3/4" TS-10 pin-in-Torx stainless steel screws


Technical Requirements

Call Station Compatibility

The following table outlines HON-AOR-CS Analog Call Station compatibility for the **HON-AOR-CS-SM-1 Surface Mount**.

Model	Compatible HON-AOR-CS Analog Call Station Models
HON-AOR-CS-SM-1	All HON-AOR-CS Analog Call Station models

Installation

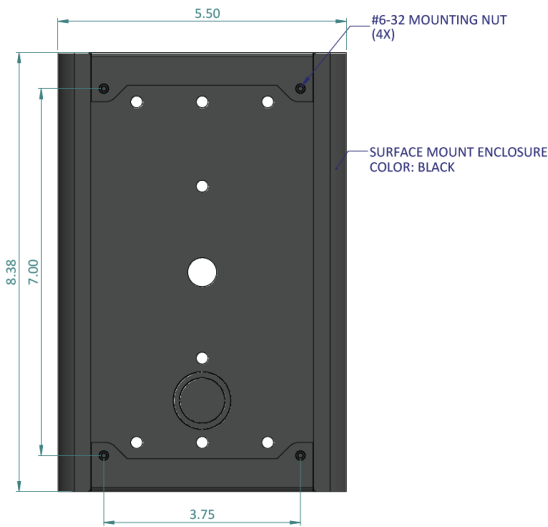
 CAUTION	<p>It is the installer's obligation to ensure compliance with all national, regional, and local regulations. Installation should be performed only by qualified personnel in accordance with the National Electrical Code (NEC), NFPA 72, and other federal, state, and local statutes and building codes. Using shielded cable is recommended to avoid noise, hum, and other operational anomalies.</p> <p>This product is intended for indoor use only.</p>
---	---

Surface Mount Dimensions

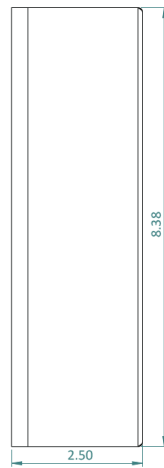
The overall dimensions of the HON-AOR-CS-SM-1 Surface Mount measure 8.38" x 5.5" x 2.5" (212.9mm x 139.7mm x 63.5mm). Further details are dimensioned below.



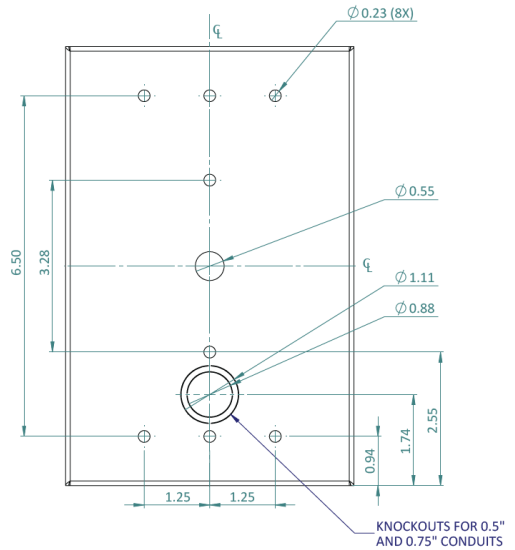
TOP VIEW



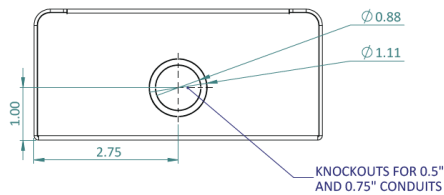
FRONT VIEW



SIDE VIEW




REAR VIEW




BOTTOM VIEW

Hardware Installation

 CAUTION	<p>It is the installer's obligation to ensure compliance with all national, regional, and local regulations. Installation should be performed only by qualified personnel in accordance with the National Electrical Code (NEC), NFPA 72, and other federal, state, and local statutes and building codes. Using shielded cable is recommended to avoid noise, hum, and other operational anomalies.</p> <p>This product is intended for indoor use only.</p>
--	---

You will need a TS-10 Pin-in-Torx screwdriver or bit to complete installation. If you do not own one, you may purchase one from your local industrial supply store or from Talkaphone. Contact your distributor for purchasing information.

 ATTENTION	<p>Prior to installation, please confirm install height and location meets the requirements of ICC A117.1 (2017) Ch. 7 and ADAAG (2010) Ch. 7.</p> <p>If there is uncertainty, check with the Authority Having Jurisdiction (AHJ).</p>
--	--

1. Install the **HON-AOR-CS-SM-1 Surface Mount** onto the appropriate wall or surface location. Please make sure that the conduit knockout locations are properly oriented.
2. Ensure that all the proper wiring connections have been made to the HON-AOR-CS Analog Call Station.
3. Place the HON-AOR-CS Analog Call Station into the **HON-AOR-CS-SM-1 Surface Mount**.
4. Secure the faceplate of the HON-AOR-CS Analog Call Station with four (4) Torx TS-10 security screws (included with the HON-AOR-CS Analog Call Station).

System Maintenance

Annual Testing

NFPA 72 requires that area of refuge two-way communication systems be **inspected, tested, and maintained** on an **annual basis**. NFPA 72 specifies the method required as “verify location and condition”.

As such, the following guidelines are highly recommended:

- An annual inspection and testing be scheduled as part of the facility/building preventative maintenance schedule
- Each **HON-AOR-CS Analog Call Station** should be inspected and tested.
- The Command Unit should be inspected and tested.
- The Sub-Command Unit should be inspected and tested.
- Verify the condition of the backup battery and replace if necessary.

Servicing

For product service and repair, please contact:

Talkaphone Area of Refuge (AOR) Support

Email: aorsupport@talkaphone.com

Phone: 773.539.1100

Limited Warranty Information

For the latest warranty information, please visit:

<https://www.honeywellareaofrefuge.com/warranty>

Talk-A-Phone, LLC

7530 N. Natchez Ave.

Niles, IL 60714

773.539.1100

aorsupport@talkaphone.com

www.honeywellareaofrefuge.com

© 2024 Talk-A-Phone, LLC. All rights reserved. Specifications subject to change without notice.

The Honeywell trademark is used under license from Honeywell International Inc.

Honeywell International Inc. makes no representation or warranties with respect to these products.

These products are manufactured by Talk-A-Phone, LLC, Niles, IL 60714, USA.

771-00004 | Rev 1.0 | 06/03/2024

Honeywell