

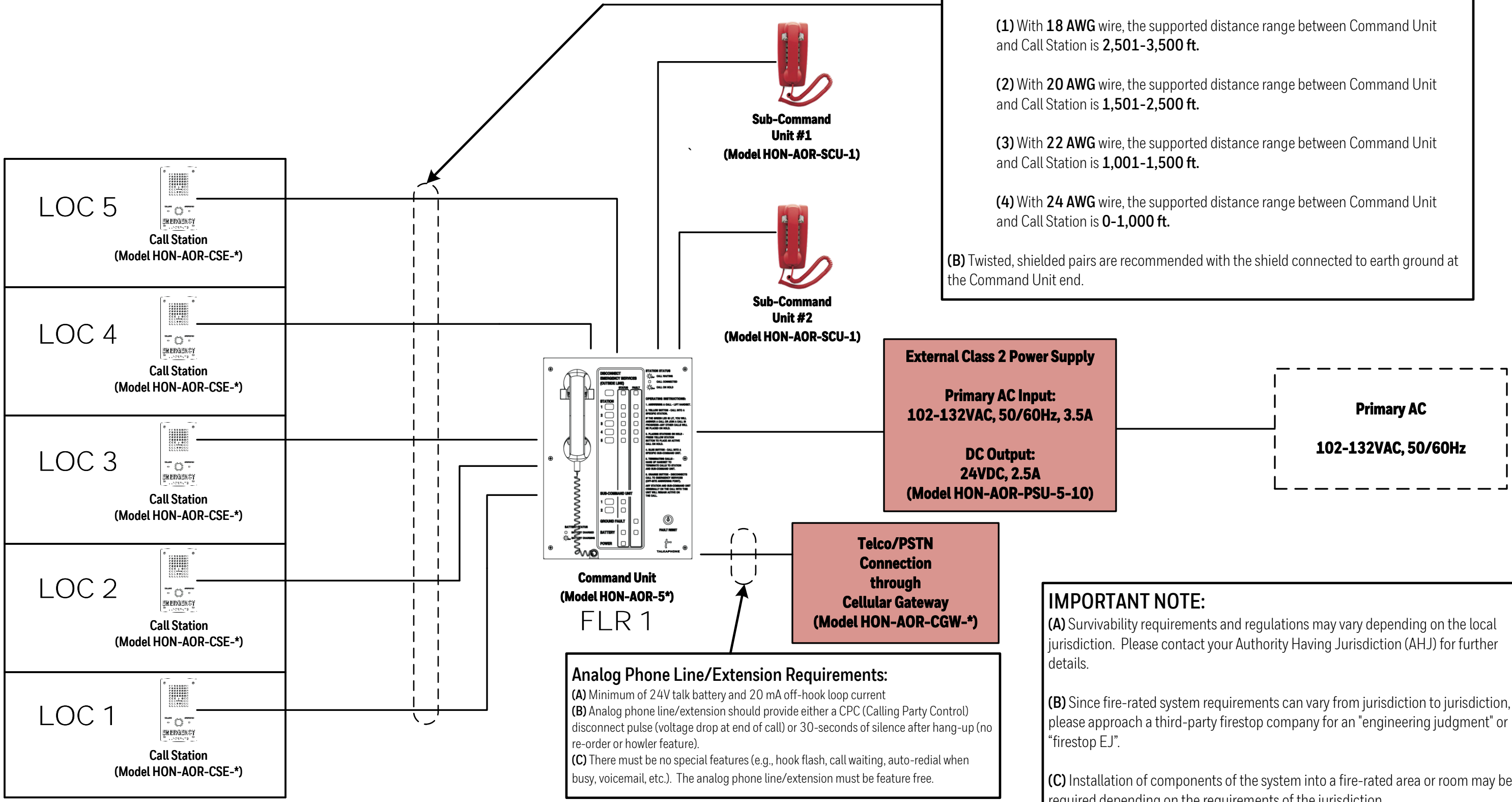
Riser Diagram for 5-Station Area of Refuge Systems

Wiring Specifications for Each Call Station:

(A) Maximum cable length will vary with wire gauge.

- (1) With **18 AWG** wire, the supported distance range between Command Unit and Call Station is **2,501-3,500 ft.**
- (2) With **20 AWG** wire, the supported distance range between Command Unit and Call Station is **1,501-2,500 ft.**
- (3) With **22 AWG** wire, the supported distance range between Command Unit and Call Station is **1,001-1,500 ft.**
- (4) With **24 AWG** wire, the supported distance range between Command Unit and Call Station is **0-1,000 ft.**

(B) Twisted, shielded pairs are recommended with the shield connected to earth ground at the Command Unit end.



Analog Phone Line/Extension Requirements:

- (A) Minimum of 24V talk battery and 20 mA off-hook loop current
- (B) Analog phone line/extension should provide either a CPC (Calling Party Control) disconnect pulse (voltage drop at end of call) or 30-seconds of silence after hang-up (no re-order or howler feature).
- (C) There must be no special features (e.g., hook flash, call waiting, auto-redial when busy, voicemail, etc.). The analog phone line/extension must be feature free.

IMPORTANT NOTE:

- (A) Survivability requirements and regulations may vary depending on the local jurisdiction. Please contact your Authority Having Jurisdiction (AHJ) for further details.
- (B) Since fire-rated system requirements can vary from jurisdiction to jurisdiction, please approach a third-party firestop company for an "engineering judgment" or "firestop EJ".
- (C) Installation of components of the system into a fire-rated area or room may be required depending on the requirements of the jurisdiction.

